

1	2	3	4	5	6	7	8
---	---	---	---	---	---	---	---

THIS DRAWING AND SPECIFICATIONS, HEREIN, ARE THE PROPERTY OF INVENTEC CORPORATION AND SHALL NOT BE REPRODUCED, COPIED, OR USED IN WHOLE OR IN PART AS THE BASIS FOR THE MANUFACTURE OR SALE OF ITEMS WITHOUT WRITTEN PERMISSION, INVENTEC CORPORATION 2010 ALL RIGHT RESERVED

HSF Property : **Halogen-Free**

GUCCI 3.0

PV BUILD

2010.06.10

DATE	CHANGE NO.	REV

DRAWER	EE	DATE	POWER	DATE	INVENTEC			
DESIGN								
CHECK								
RESPONSIBLE								
TITLE					GUCCI30			
SIZE =	3	VER :						
FILE NAME :	XXXX-XXXXXX-XX				SIZE	CODE	DOC. NUMBER	REV
P/N	XXXXXXXXXXXX				A3	CS	1310A2378301	A01
					SHEET	1	OF	45

1	2	3	4	5	6	7	8
---	---	---	---	---	---	---	---

TABLE OF CONTENTS

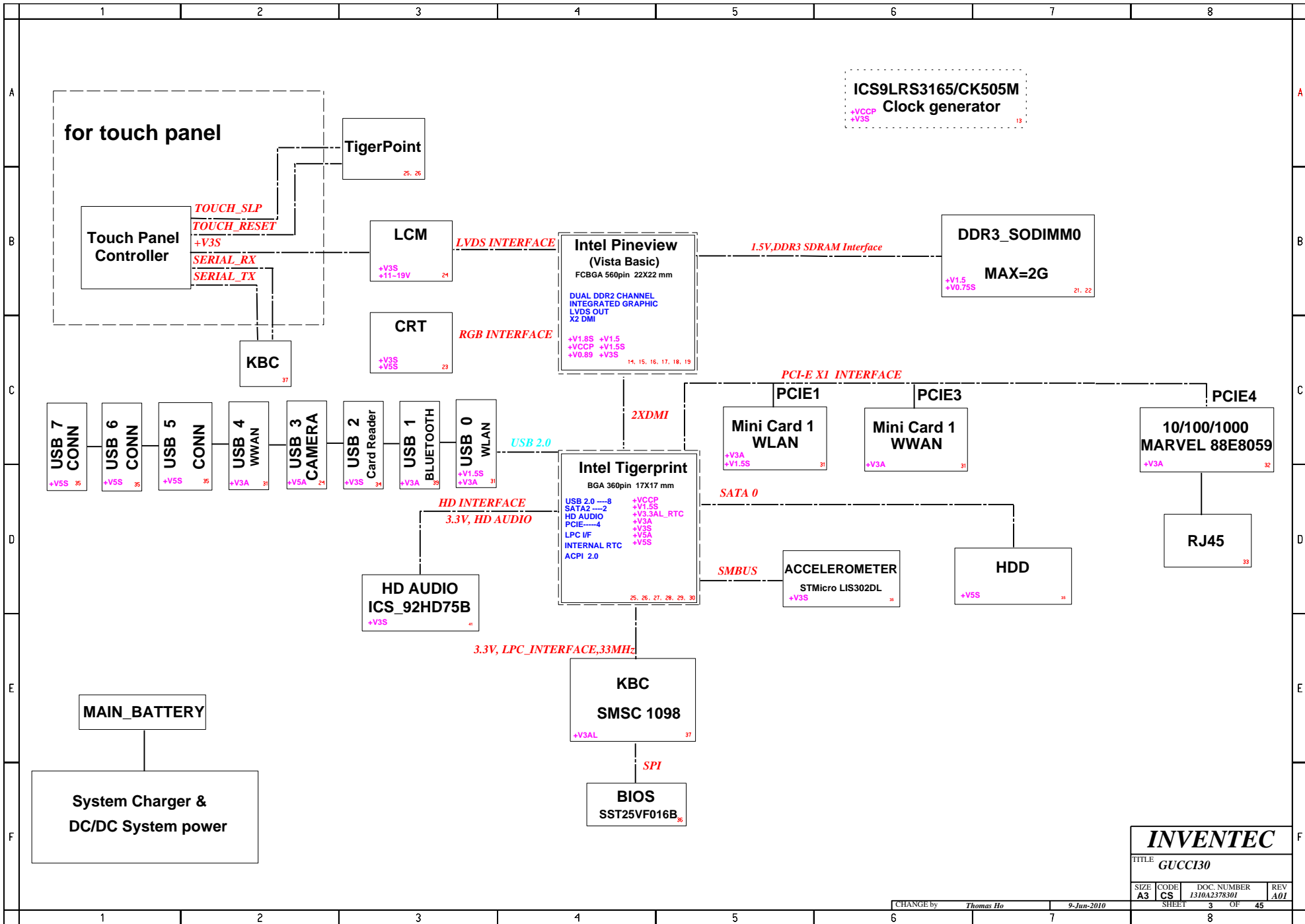
PAGE	PAGE	PAGE
1. COVER PAGE	13. CLOCK_GENERATOR	31. MINI CARD WLAN / WWLAN / SIM
2. INDEX	14. PINEVIEW-1	32. LAN CONTROLLER
3. BLOCK DIAGRAM	15. PINEVIEW-2	33. LAN RJ45
4. POWER SEQUENCE BLOCK	16. PINEVIEW-3	34. CARD READER
5. CHARGER	17. PINEVIEW-4	35. ACCELEROMETER & HDD CONN & USB CONN
6. SELECT & BATTERY CONN	18. PINEVIEW-5	36. SPI & KEYBOARD CONN & TOUCHPAD CONN
7. SYSTEM POWER (3V/5V)	19. PINEVIEW-6	37. KBC1098
8. SYSTEM POWER (+V1.5 / +VCCP)	20. FAN & THERMAL & XDP	38. LID & LED
9. CPU CORE POWER	21. DDR3 DIMM0-1	39. BLUETOOTH & WIRELESS SWITCH
10. SYSTEM POWER(+V0.89 / +V1.8S/+V0.75S)	22. DDR3 DIMM0-2	40. EMI CAP
11. POWER SLEEP	23. CRT	41. CODEC
12. POWER(SEQUENCE)	24. LCM & WEBCAM CONN	42. SPEAKER & MIC
	25. TIGERPOINT-4	43. HEADPHONE & INT MIC
	26. TIGERPOINT-1	44. POWER SWITCH DB
	27. TIGERPOINT-3	45. DAUGHTER BOARD TOUCHPAD
	28. TIGERPOINT-2	
	29. TIGERPOINT-6	
	30. TIGERPOINT-5	

INVENTEC

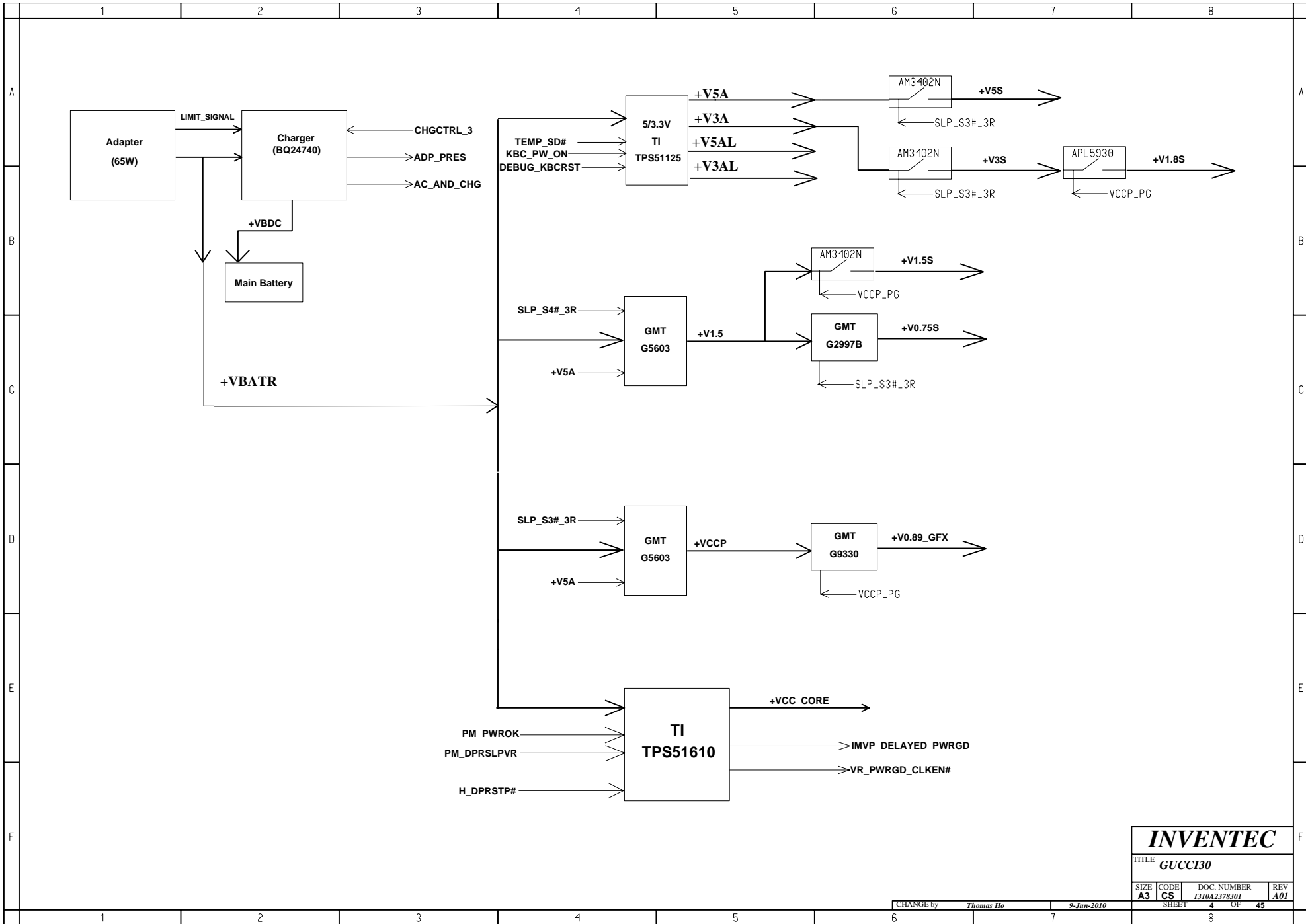
TITLE *GUCCI30*

SIZE A3	CODE CS	DOC. NUMBER <i>1310a2378301</i>	REV A01
SHEET		2	OF 45

CHANGE by *Thomas Ho* 9-Jun-2010



INVENTEC			
TITLE GUCCI30			
SIZE A3	CODE CS	DOC. NUMBER I310A2378301	REV A01
CHANGE by <i>Thomas Ho</i>		9-Jun-2010	SHEET 3 OF 45



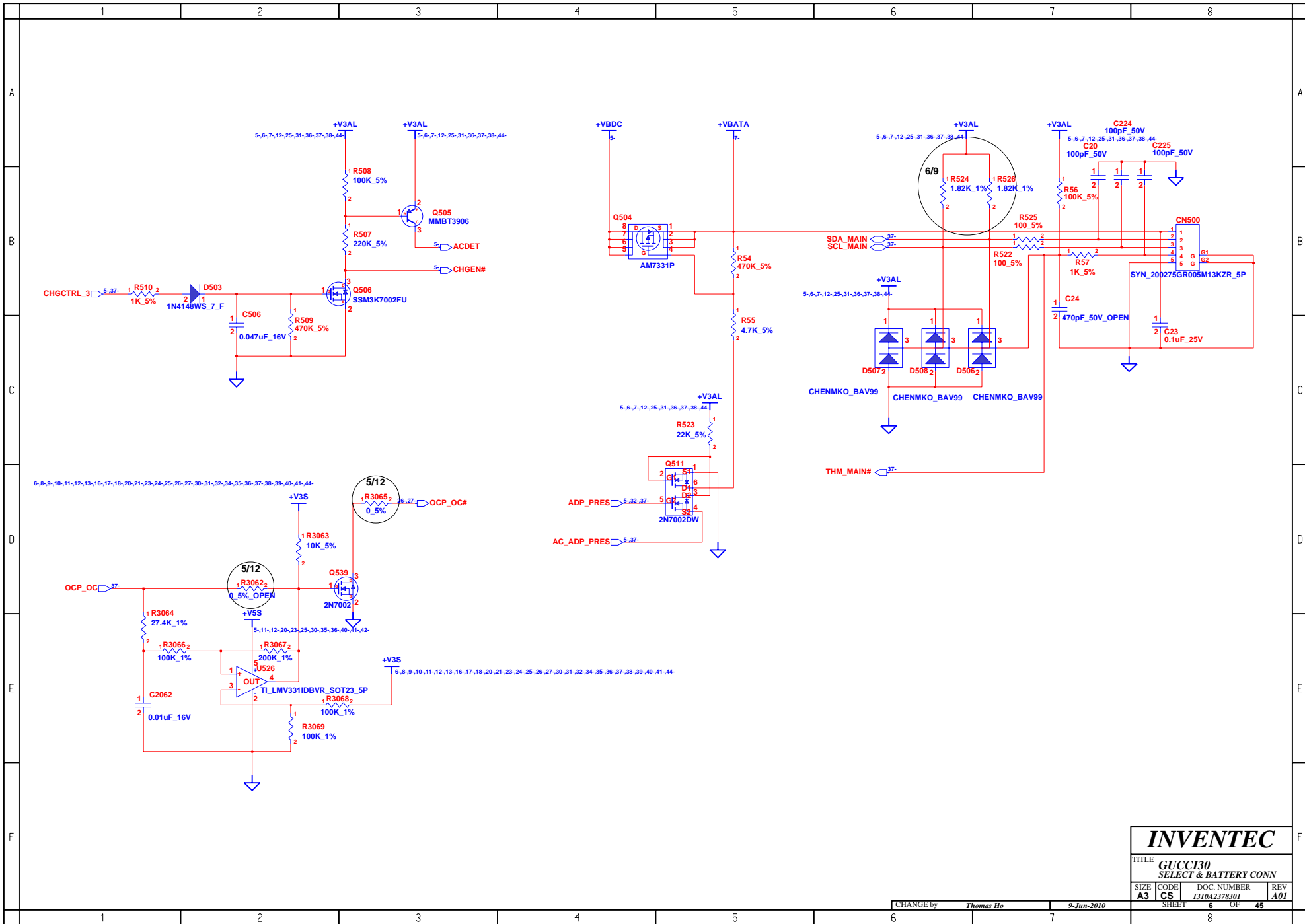
INVENTEC

TITLE **GUCCI30**

SIZE	CODE	DOC. NUMBER	REV
A3	CS	1310A2378301	A01

CHANGE by *Thomas Ho* 9-Jun-2010

SHEET 4 OF 45

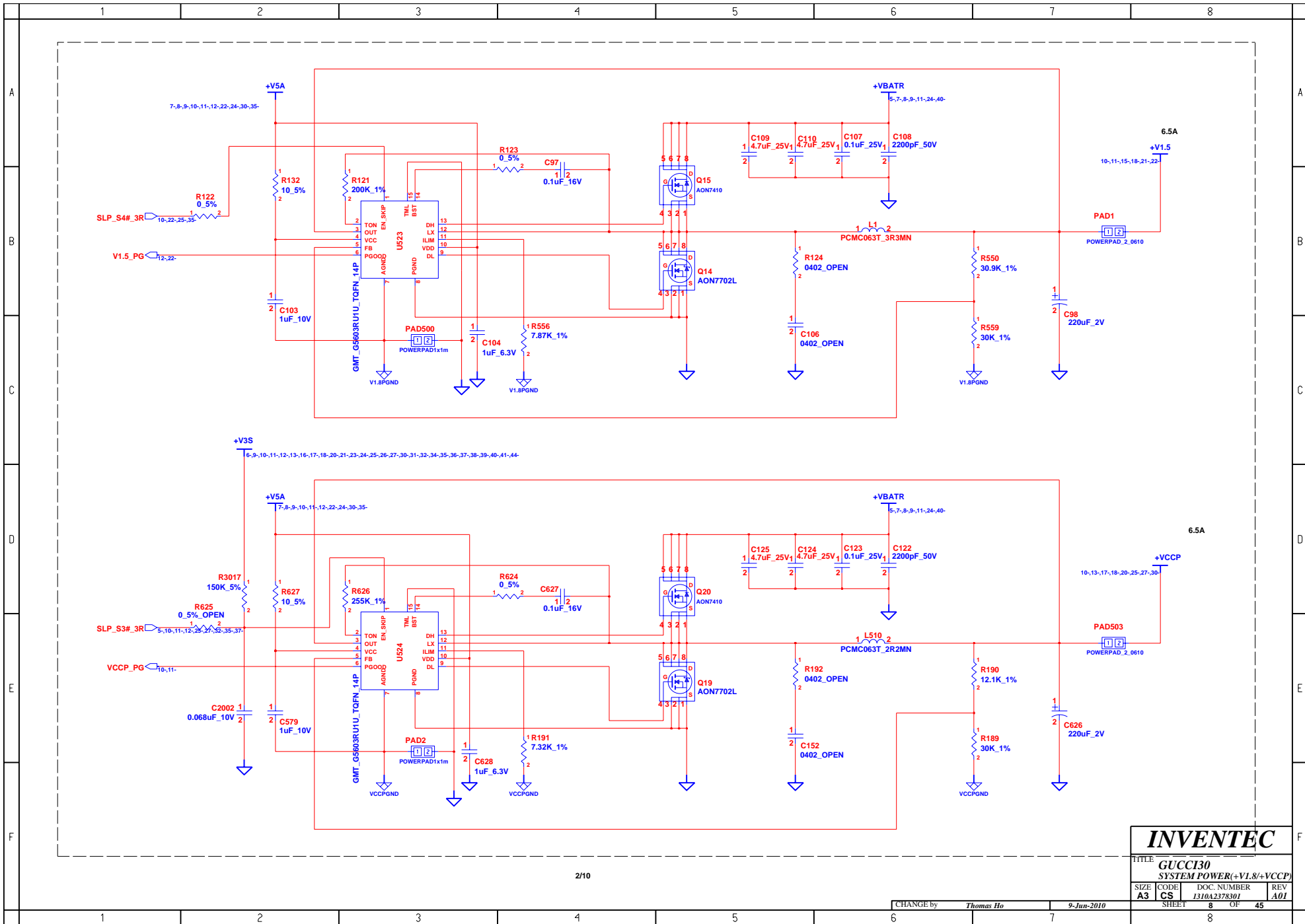


INVENTEC

TITLE
**GUCCI30
 SELECT & BATTERY CONN**

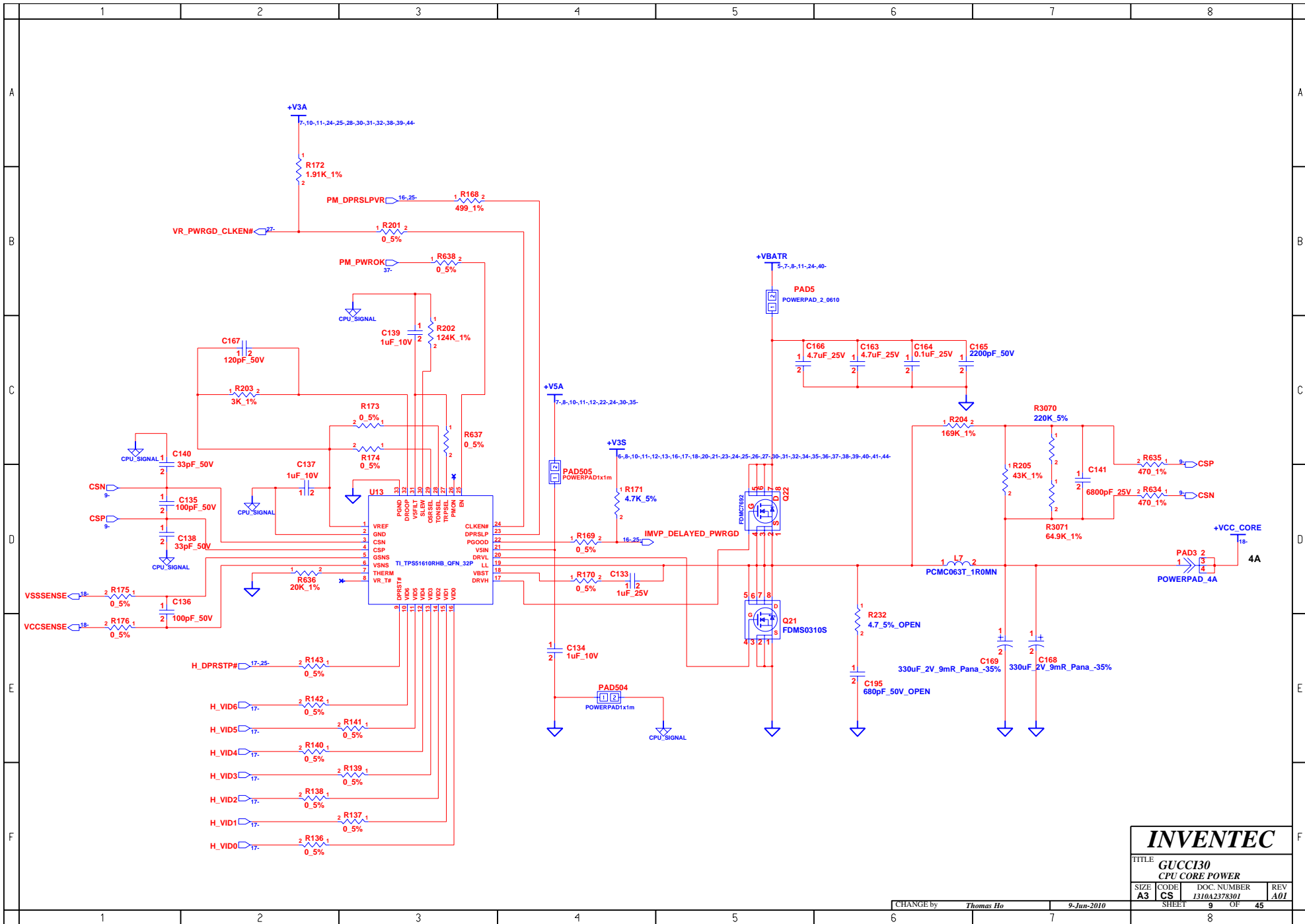
SIZE A3	CODE CS	DOC. NUMBER 1310A2378301	REV A01
-------------------	-------------------	------------------------------------	-------------------

CHANGE by *Thomas Ho* 9-Jun-2010
 SHEET 6 OF 45



2/10

INVENTEC			
TITLE GUCCI30 SYSTEM POWER(+V1.8/+VCCP)			
SIZE A3	CODE CS	DOC. NUMBER 1310A2378301	REV A01
CHANGE by <i>Thomas Ho</i>		9-Jun-2010	
SHEET 8		OF 45	

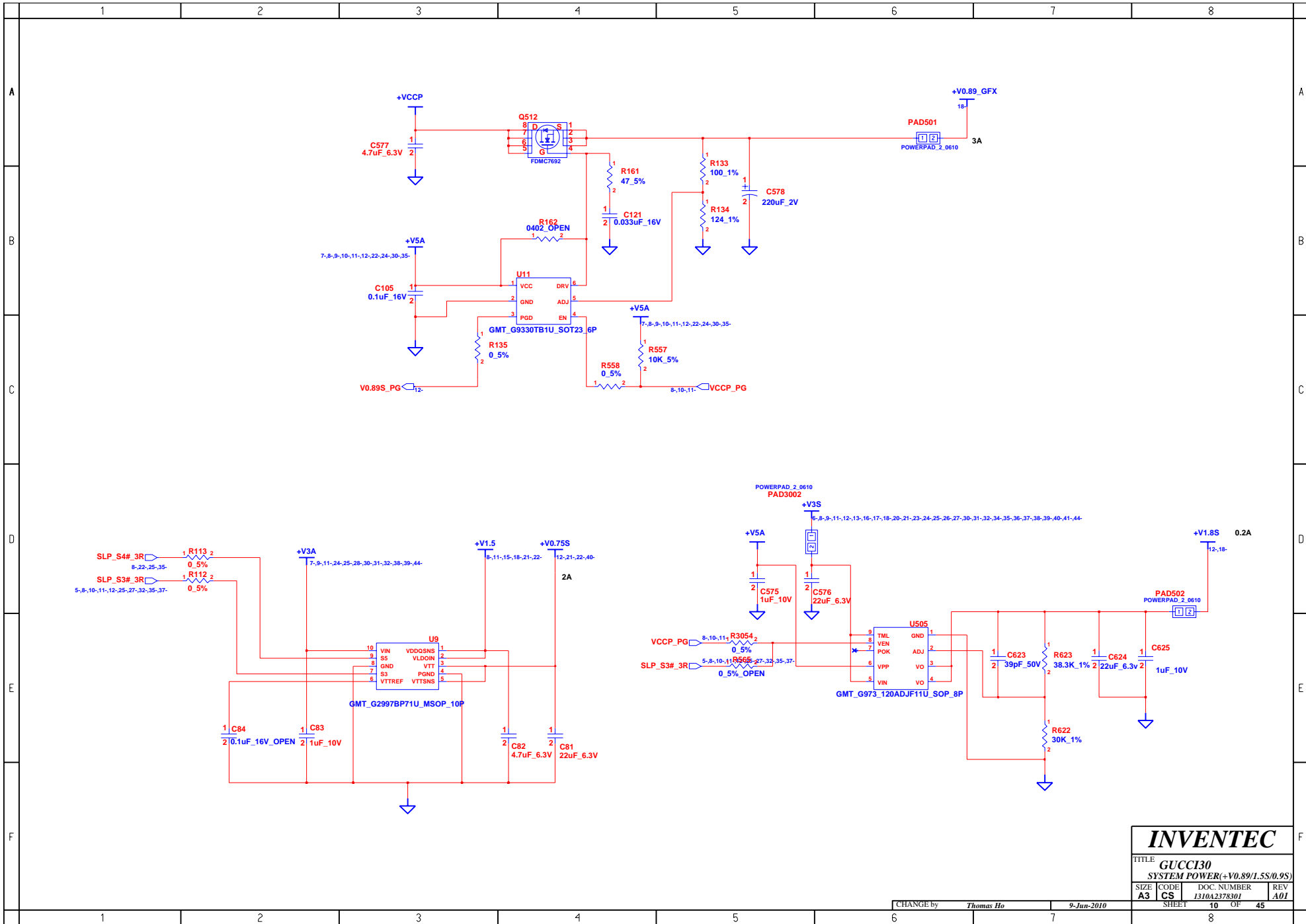


INVENTEC

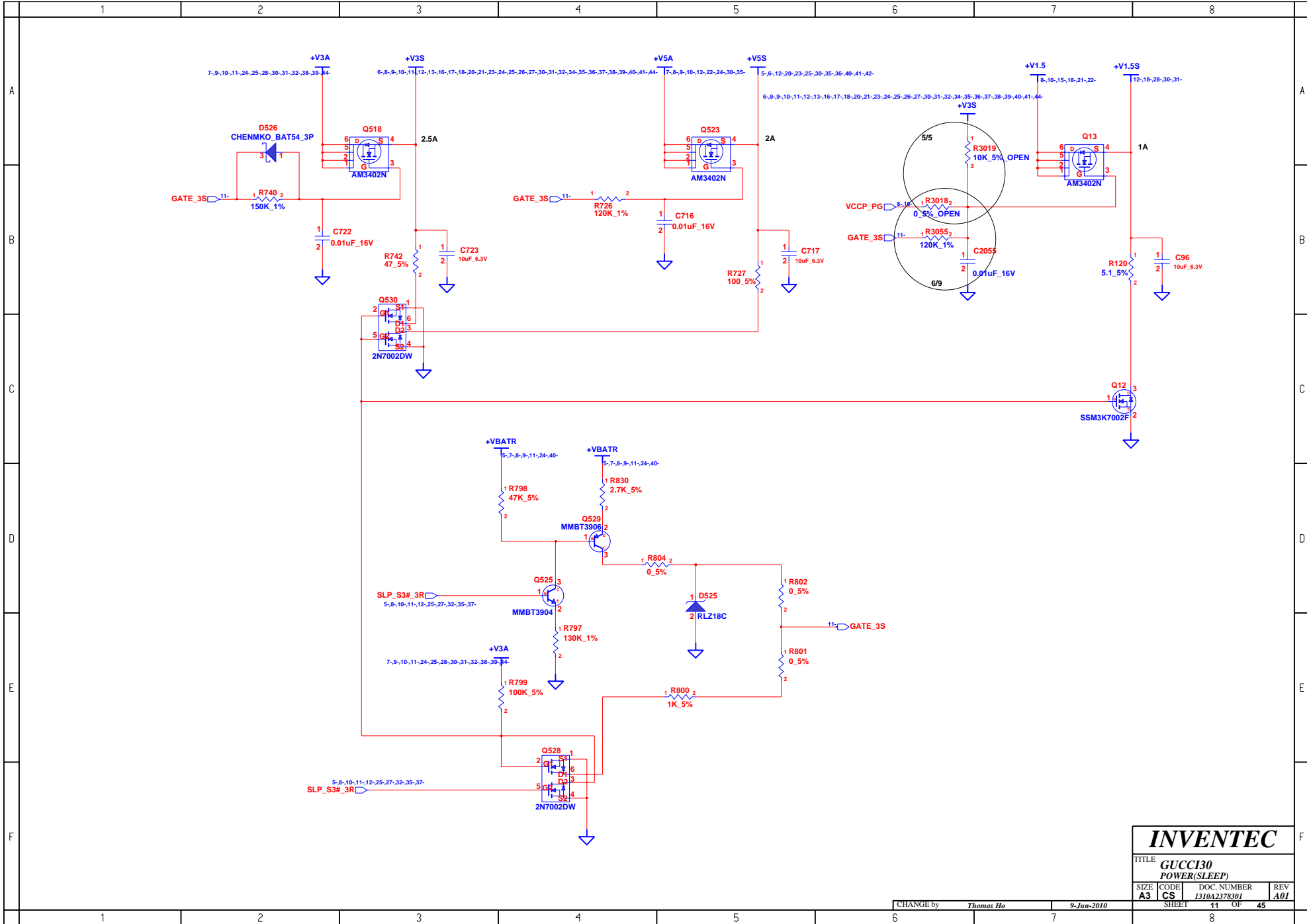
TITLE
GUCCI30
 CPU CORE POWER

SIZE	CODE	DOC. NUMBER	REV
A3	CS	1310A237801	A01

CHANGE by *Thomas Ho* 9-Jun-2010 SHEET 9 OF 45

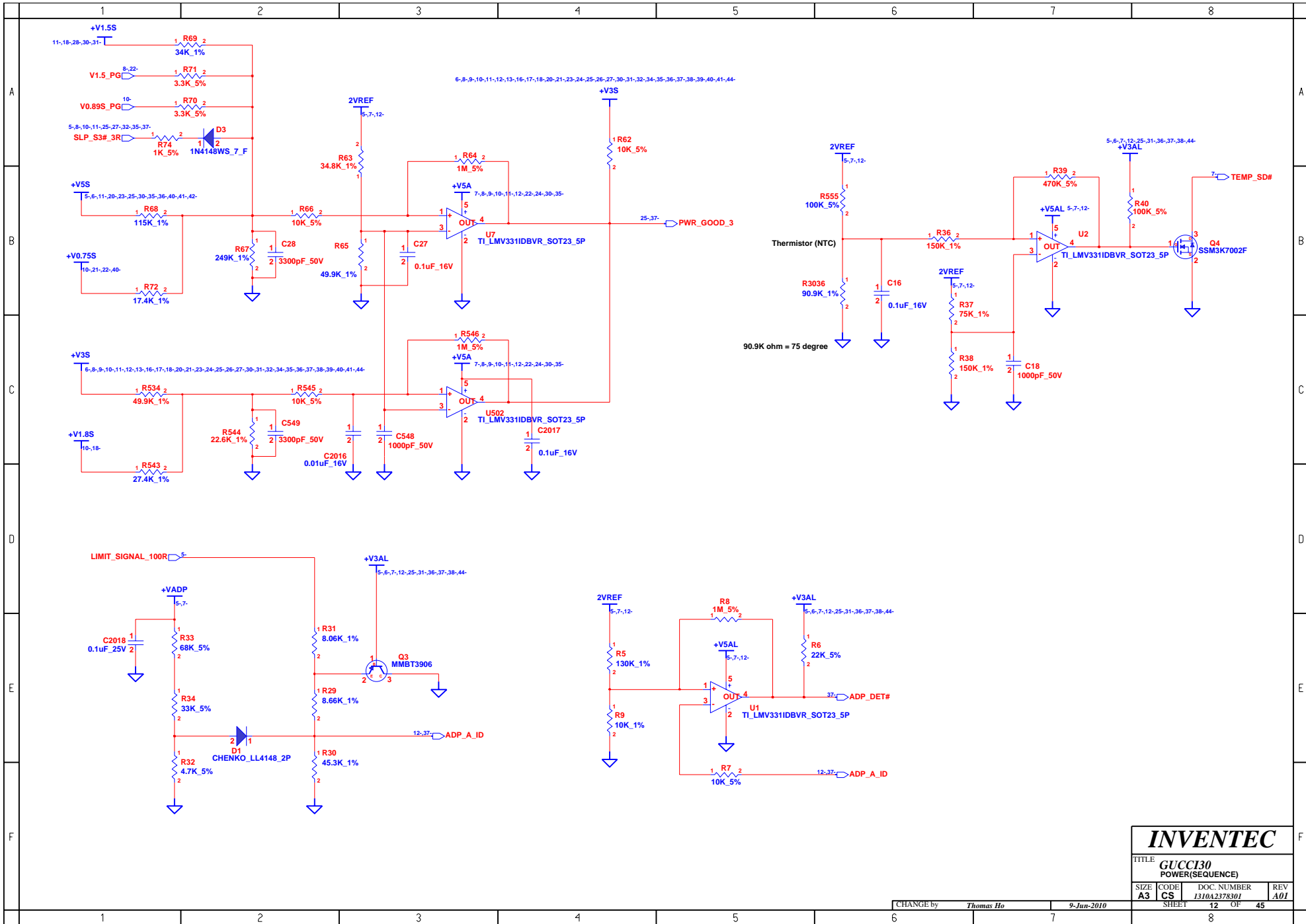


INVENTEC			
TITLE GUCCI30			
SYSTEM POWER(+V0.89/1.5S/0.9S)			
SIZE	CODE	DOC. NUMBER	REV
A3	CS	1310A2378301	A01



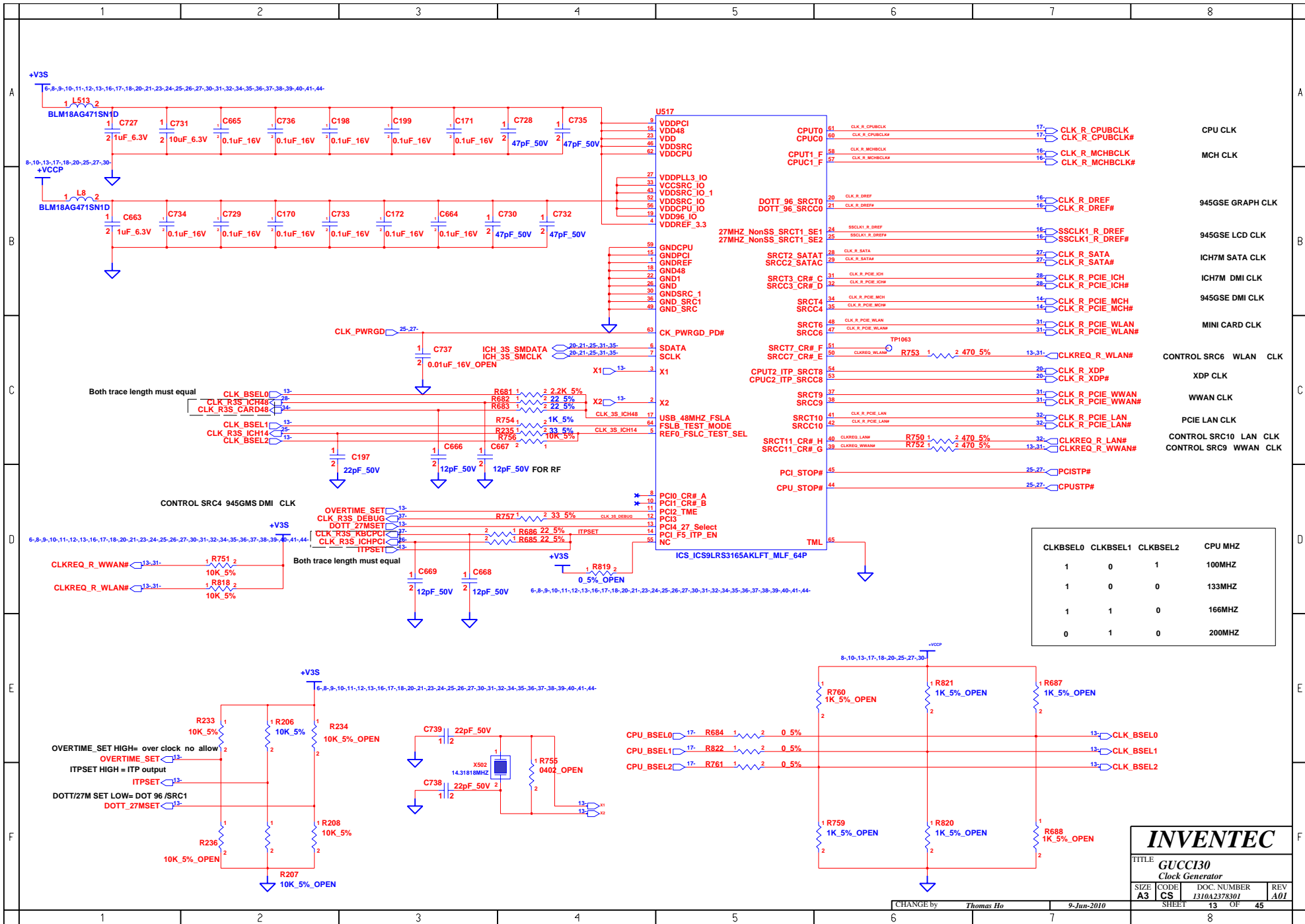
INVENTEC

TITLE			
GUCCI30			
POWER(SLEEP)			
SIZE	CODE	DOC. NUMBER	REV
A3	CS	1310A2378301	A01



INVENTEC

TITLE			
GUCCI30 POWER(SEQUENCE)			
SIZE	CODE	DOC. NUMBER	REV
A3	CS	131042378301	A01



CLKBSEL0	CLKBSEL1	CLKBSEL2	CPU MHZ
1	0	1	100MHZ
1	0	0	133MHZ
1	1	0	166MHZ
0	1	0	200MHZ

INVENTEC

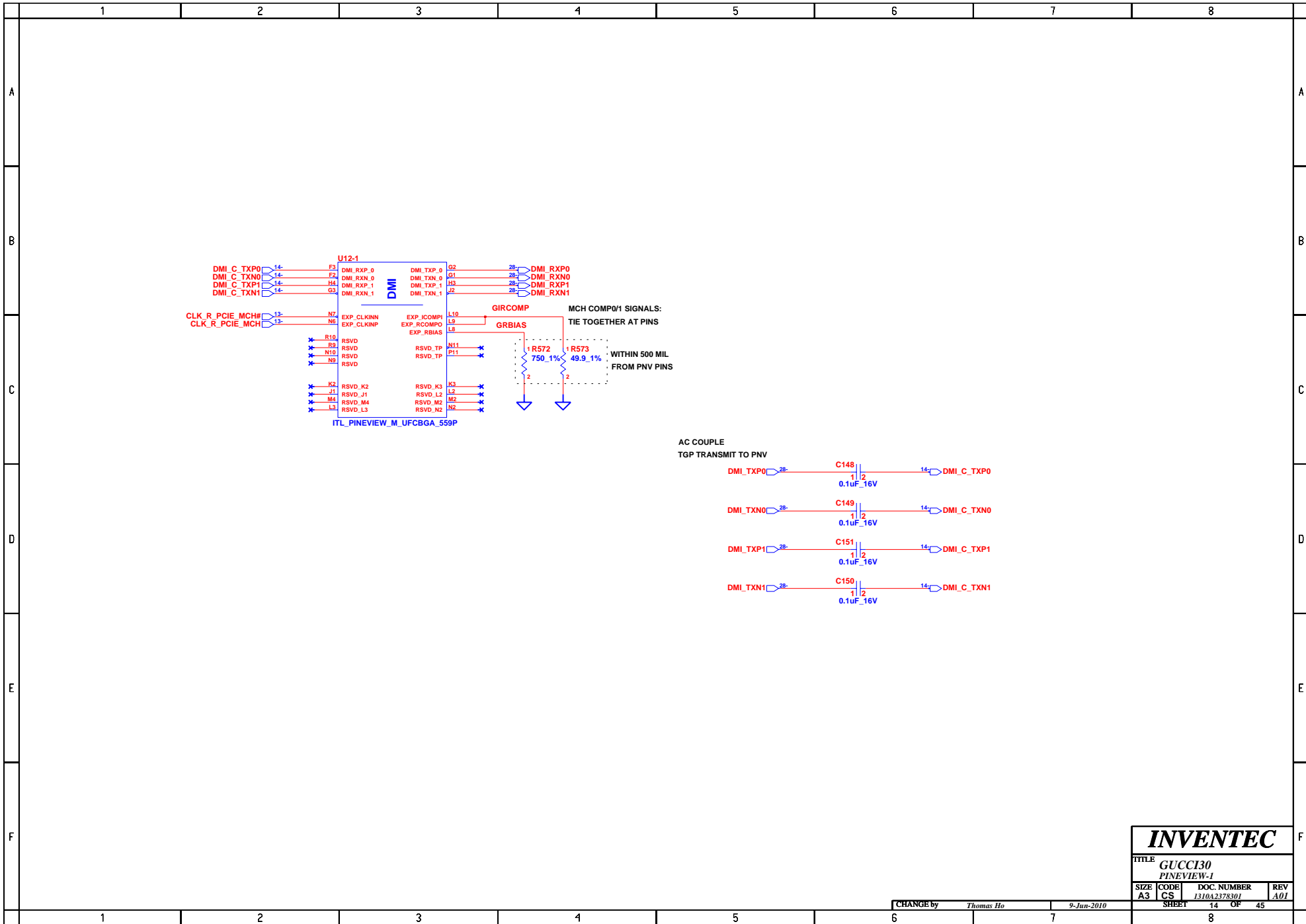
TITLE **GUCC130**
Clock Generator

SIZE	CODE	DOC. NUMBER	REV
A3	CS	1310A2378301	A01

CHANGE by Thomas Ho

9-Jun-2010

SHEET 13 OF 45

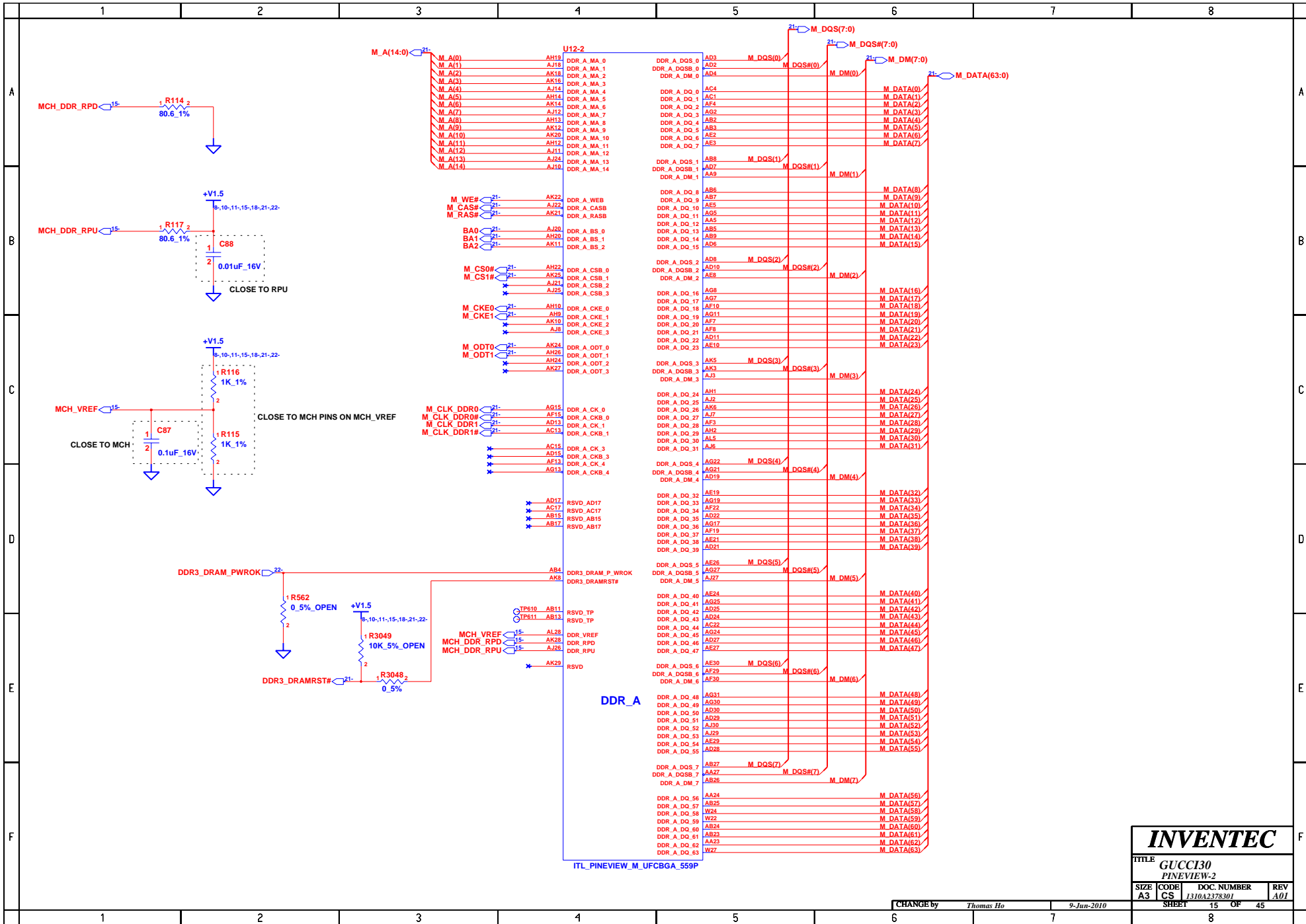


INVENTEC

TITLE
GUCCI30
 PINEVIEW-1

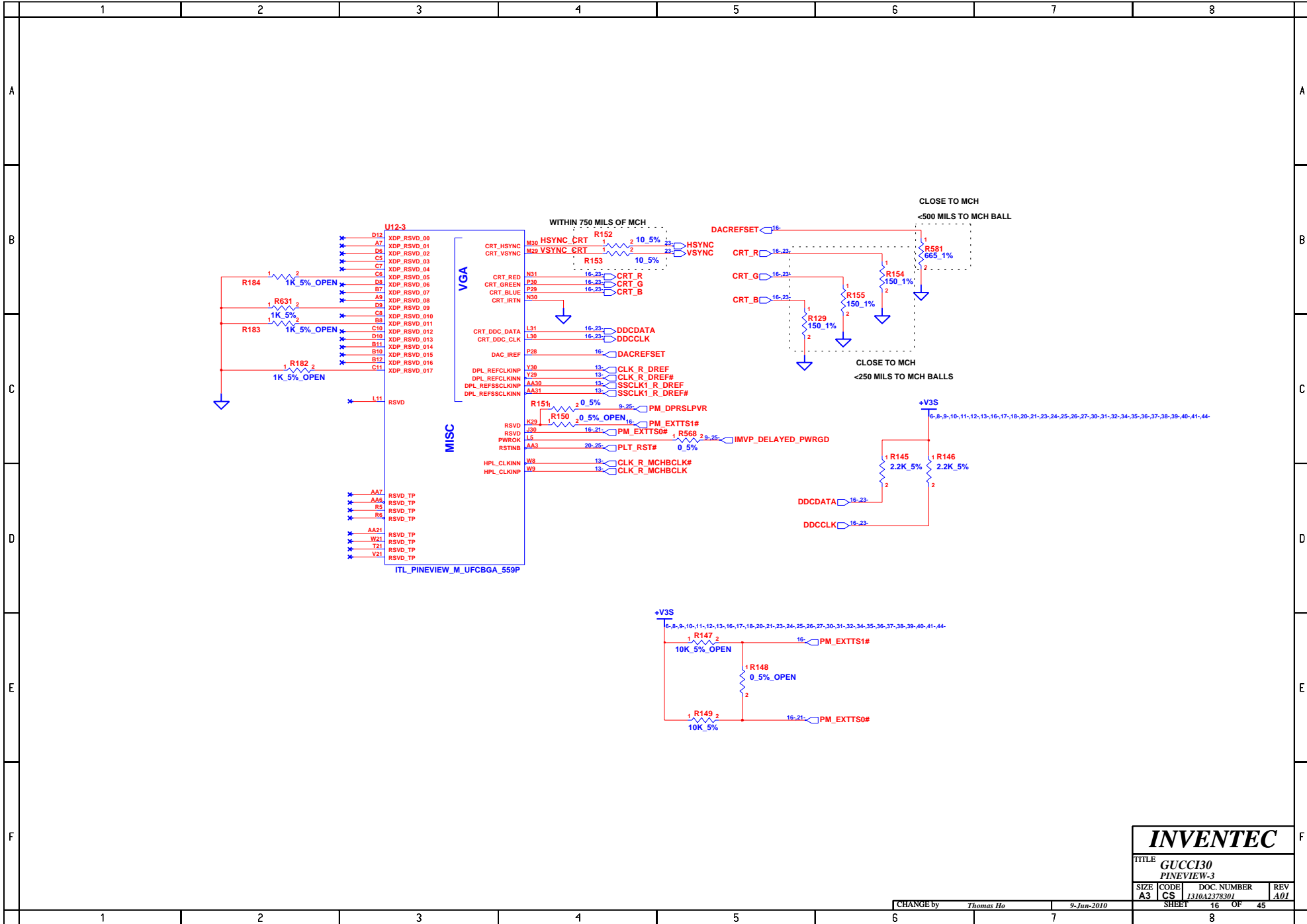
SIZE A3	CODE CS	DOC. NUMBER 1310A2378301	REV A01
------------	------------	-----------------------------	------------

CHANGE by *Thomas Ho* 9-Jun-2010



INVENTEC			
TITLE GUCCI30 PINEVIEW-2			
SIZE A3	CODE CS	DOC NUMBER 1310A2378301	REV A01
CHANGE by <i>Thomas Ho</i>		9-Jun-2010	
SHEET		15 OF 45	

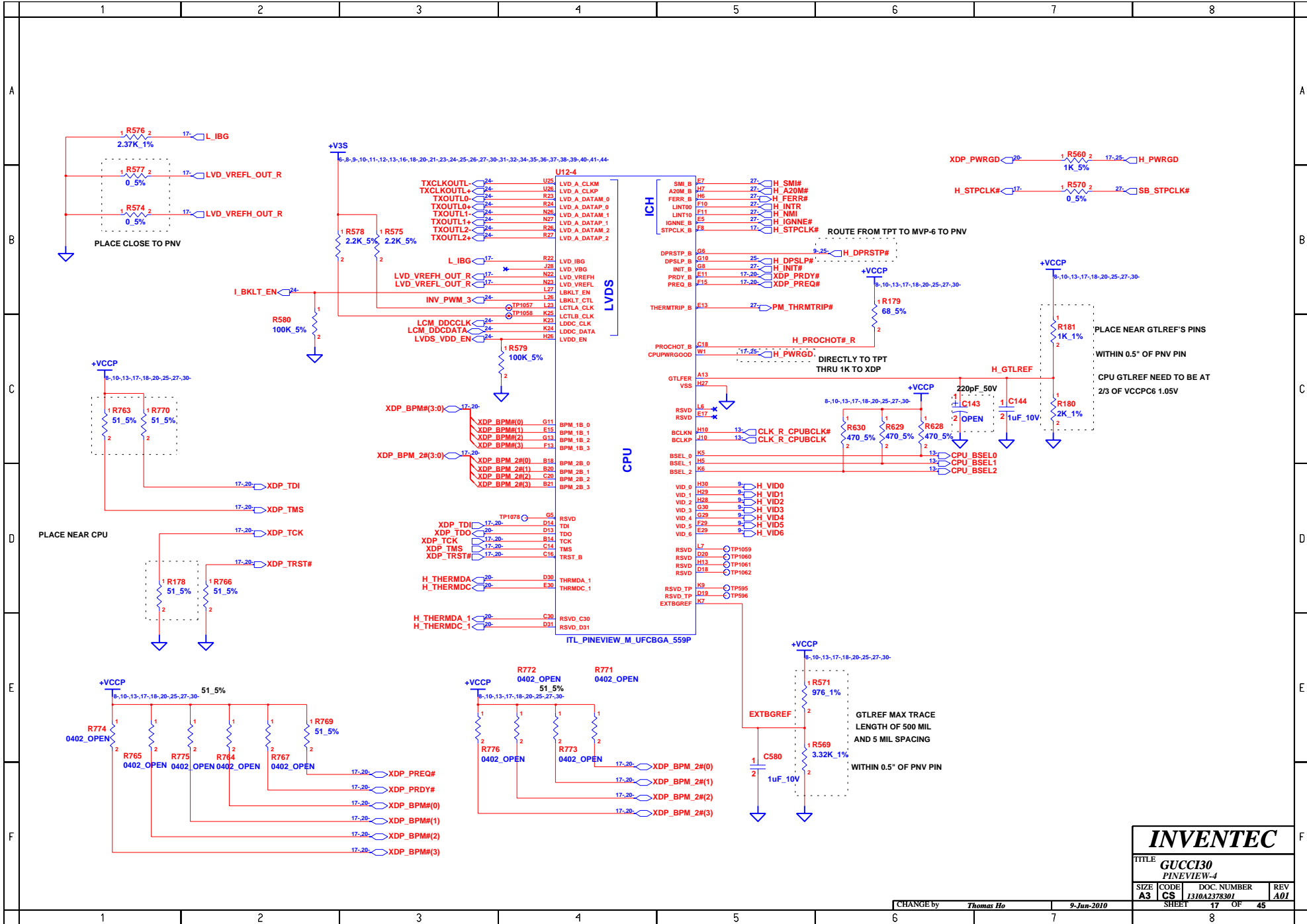
ITL_PINEVIEW_M_UFCBGA_559P



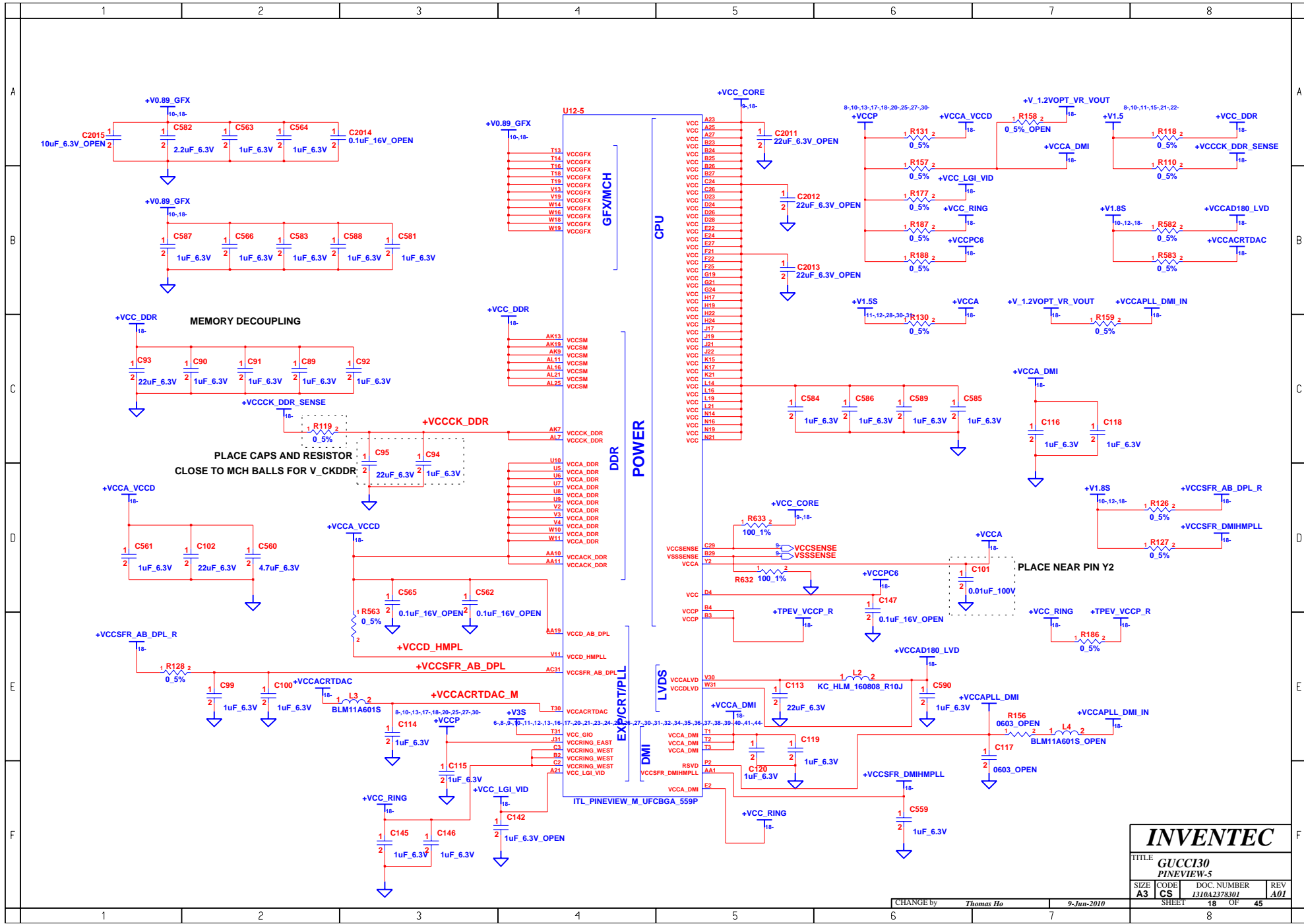
INVENTEC

TITLE			
GUCCI30			
PINEVIEW-3			
SIZE	CODE	DOC. NUMBER	REV
A3	CS	1310A2378301	A01

CHANGE by Thomas Ho 9-Jun-2010



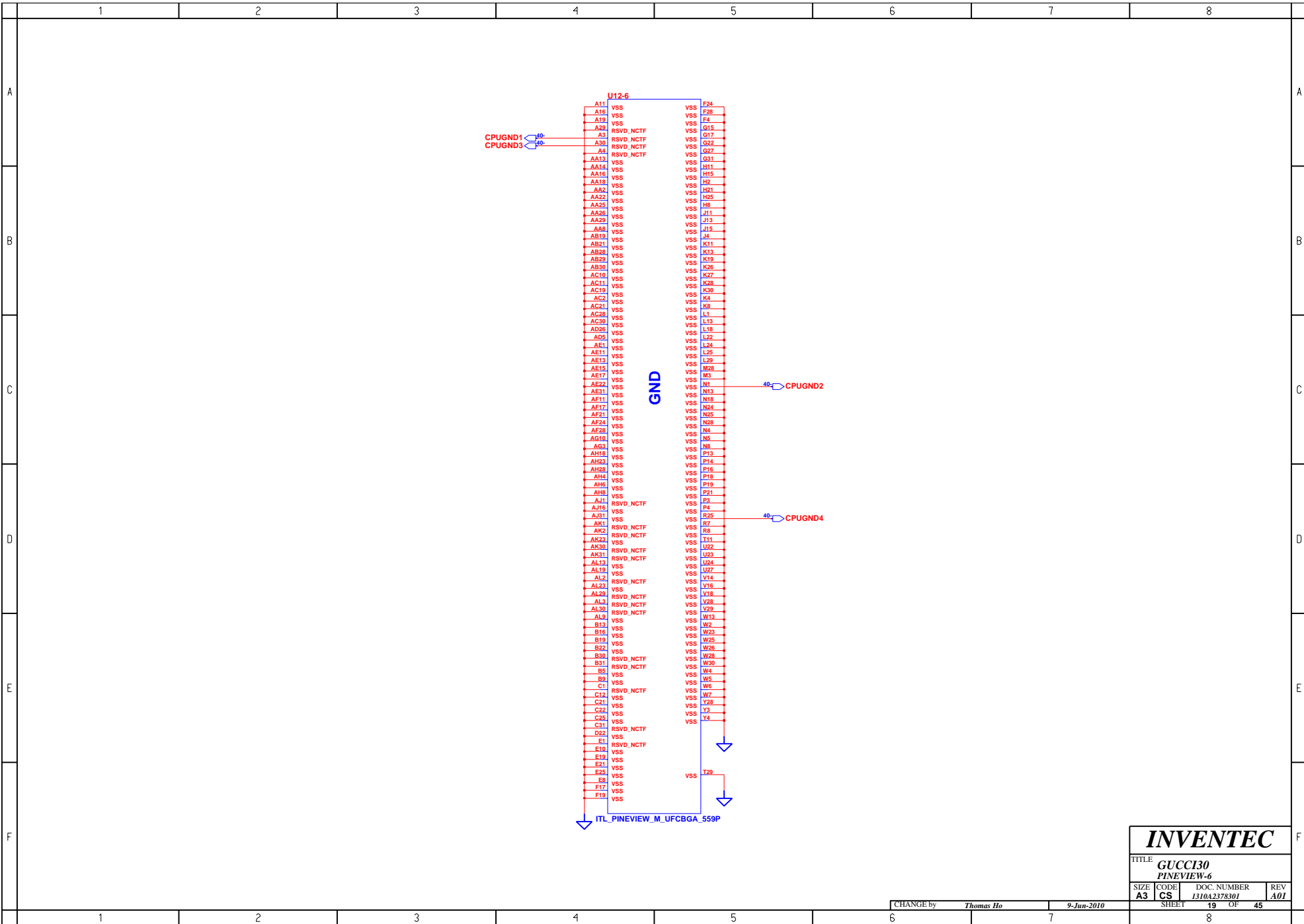
INVENTEC			
TITLE GUCCI30 PINEVIEW-4			
SIZE A3	CODE CS	DOC. NUMBER 1310A2378301	REV A01
CHANGE by <i>Thomas Ho</i>		9-Jun-2010	
SHEET 17		OF 45	



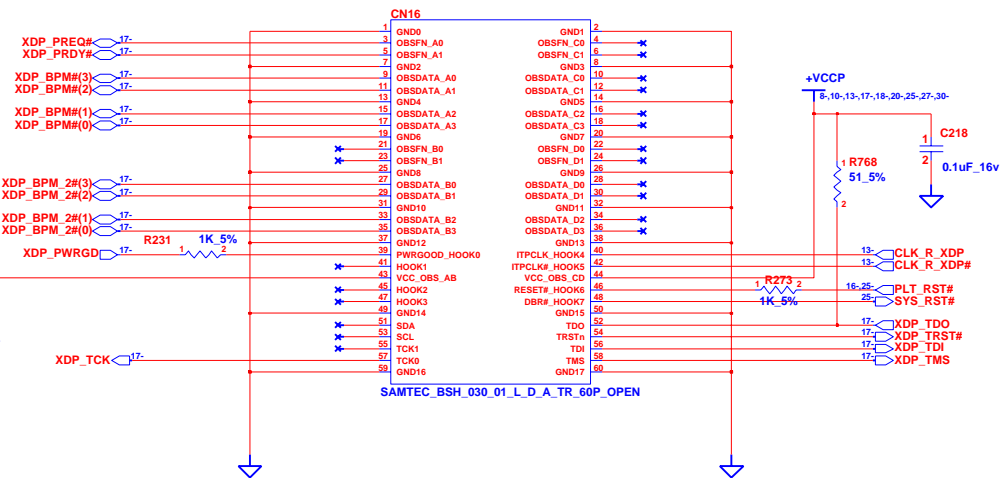
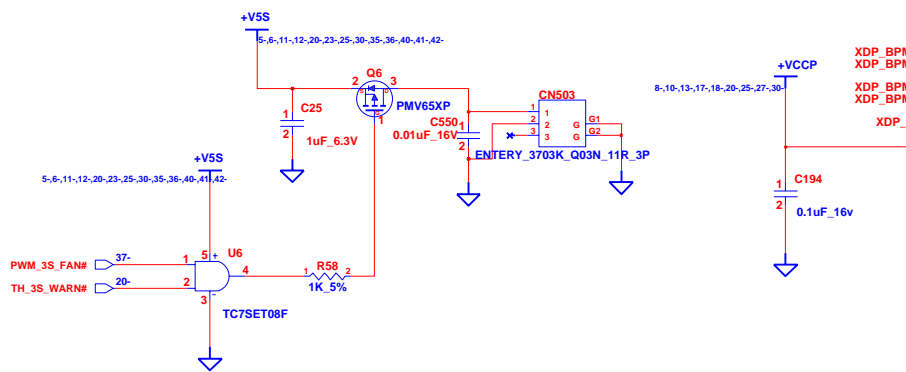
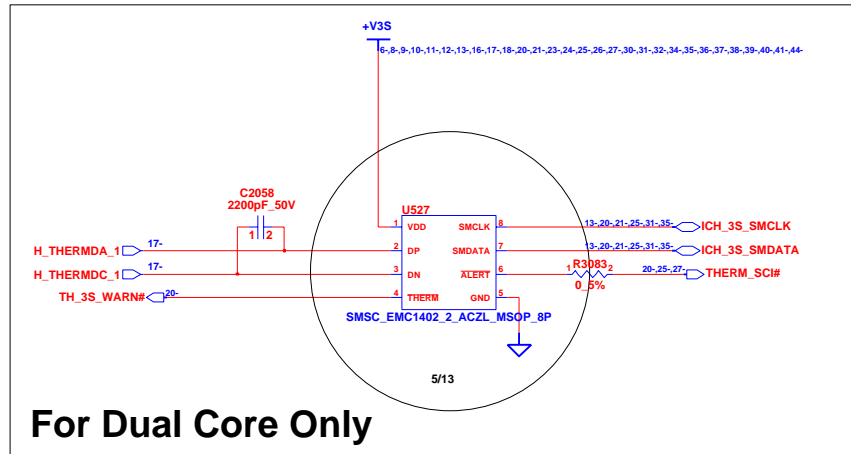
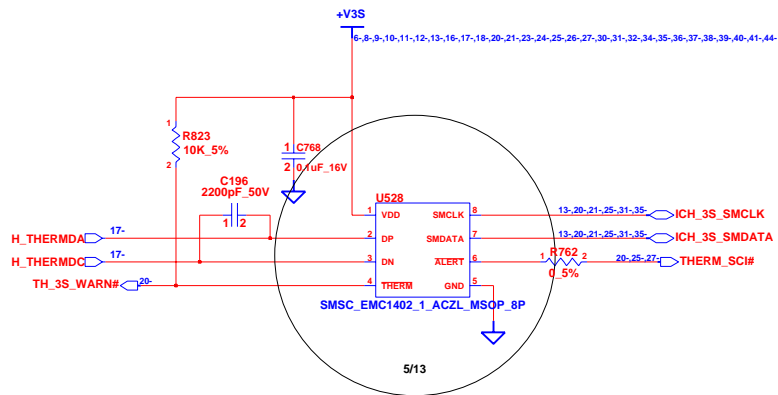
INVENTEC
TITLE: GUCCI30 PINEVIEW-5

SIZE	CODE	DOC. NUMBER	REV
A3	CS	1310A237830J	A01

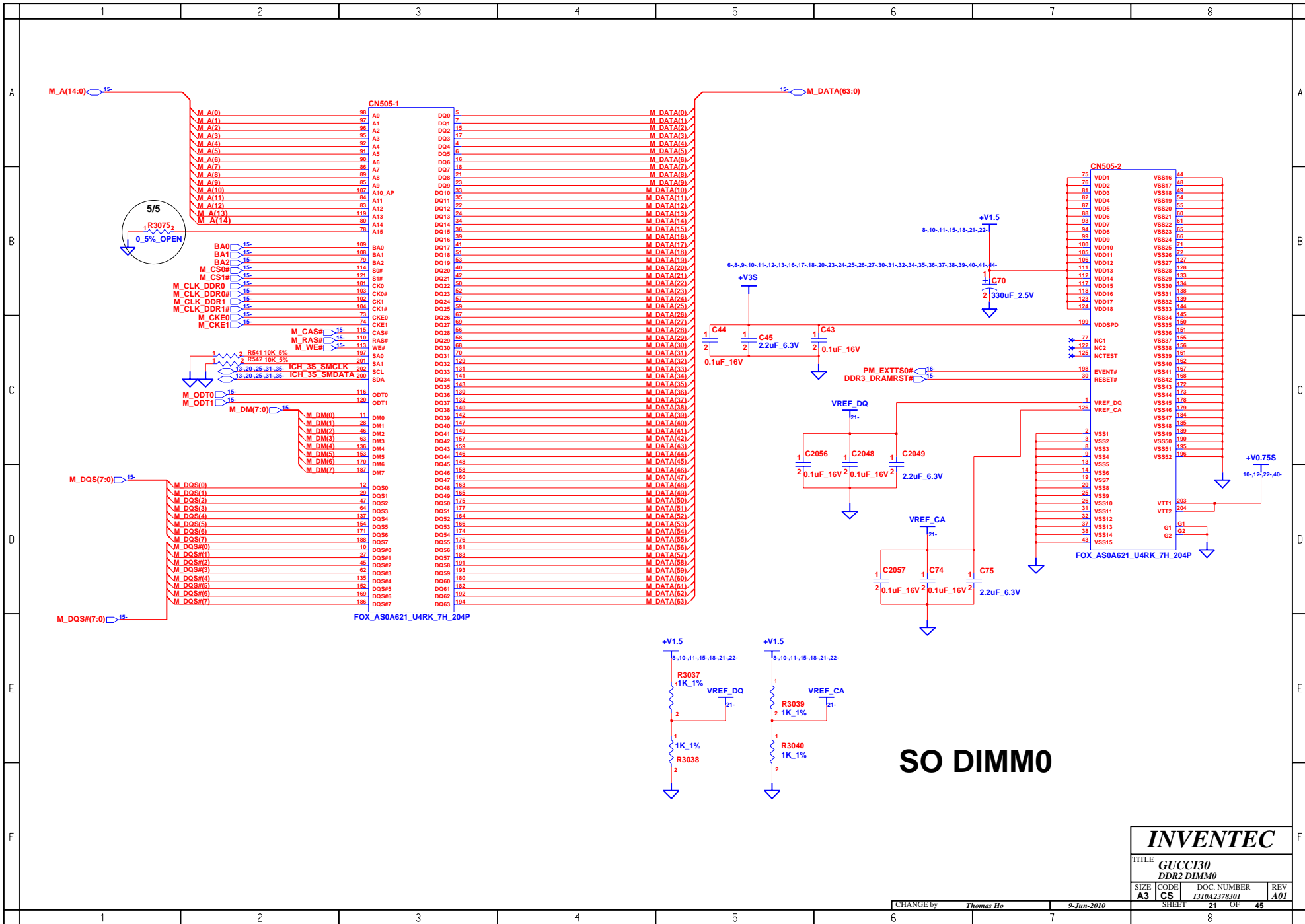
CHANGE by	DATE	SHEET	OF
Thomas Ho	9-Jun-2010	18	45



INVENTEC			
TITLE GUCCI30 PINEVIEW-6			
SIZE A3	CODE CS	DOC. NUMBER 1310A2378301	REV A01
CHANGE by <i>Thomas Ho</i>		9-Jun-2010	
SHEET		19 OF 45	



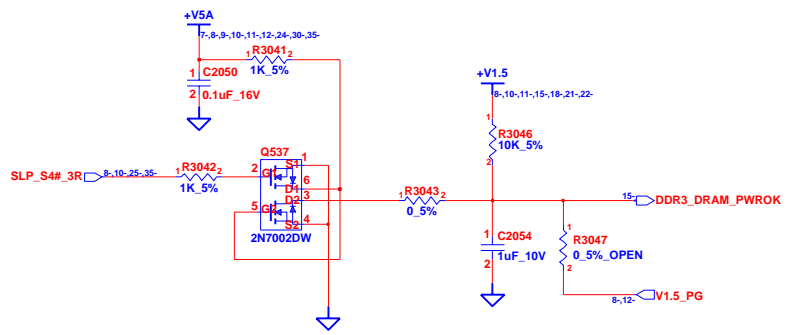
INVENTEC			
TITLE GUCCI30 Fan & Thermal & XDP			
SIZE A3	CODE CS	DOC NUMBER 1310A2378301	REV A01
CHANGE by <i>Thomas Ho</i>		SHEET 20	OF 45



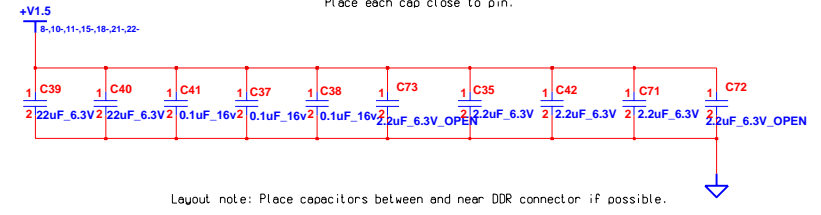
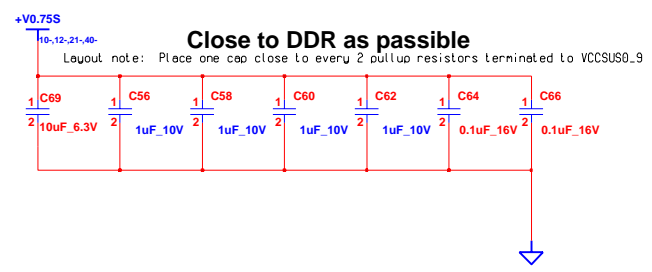
SO DIMM0

INVENTEC			
TITLE GUCCI30 DDR2 DIMM0			
SIZE A3	CODE CS	DOC. NUMBER 1310A2378301	REV A01
CHANGE by <i>Thomas Ho</i>		9-Jun-2010	
SHEET 21		OF 45	

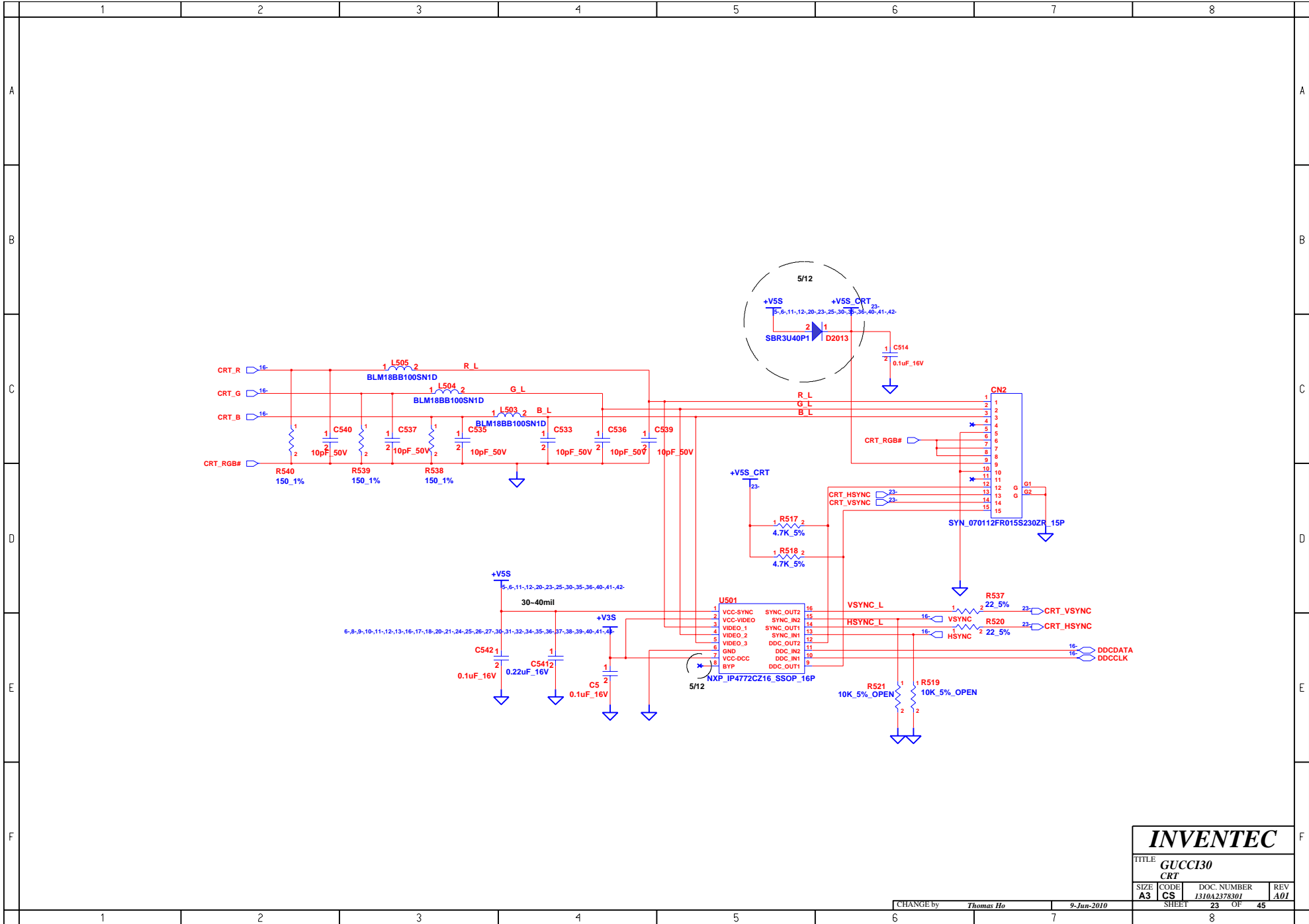
PINEVIEW DRAM POWEROK GENERATION



One 0.1uF cap per power pin.
Place each cap close to pin.

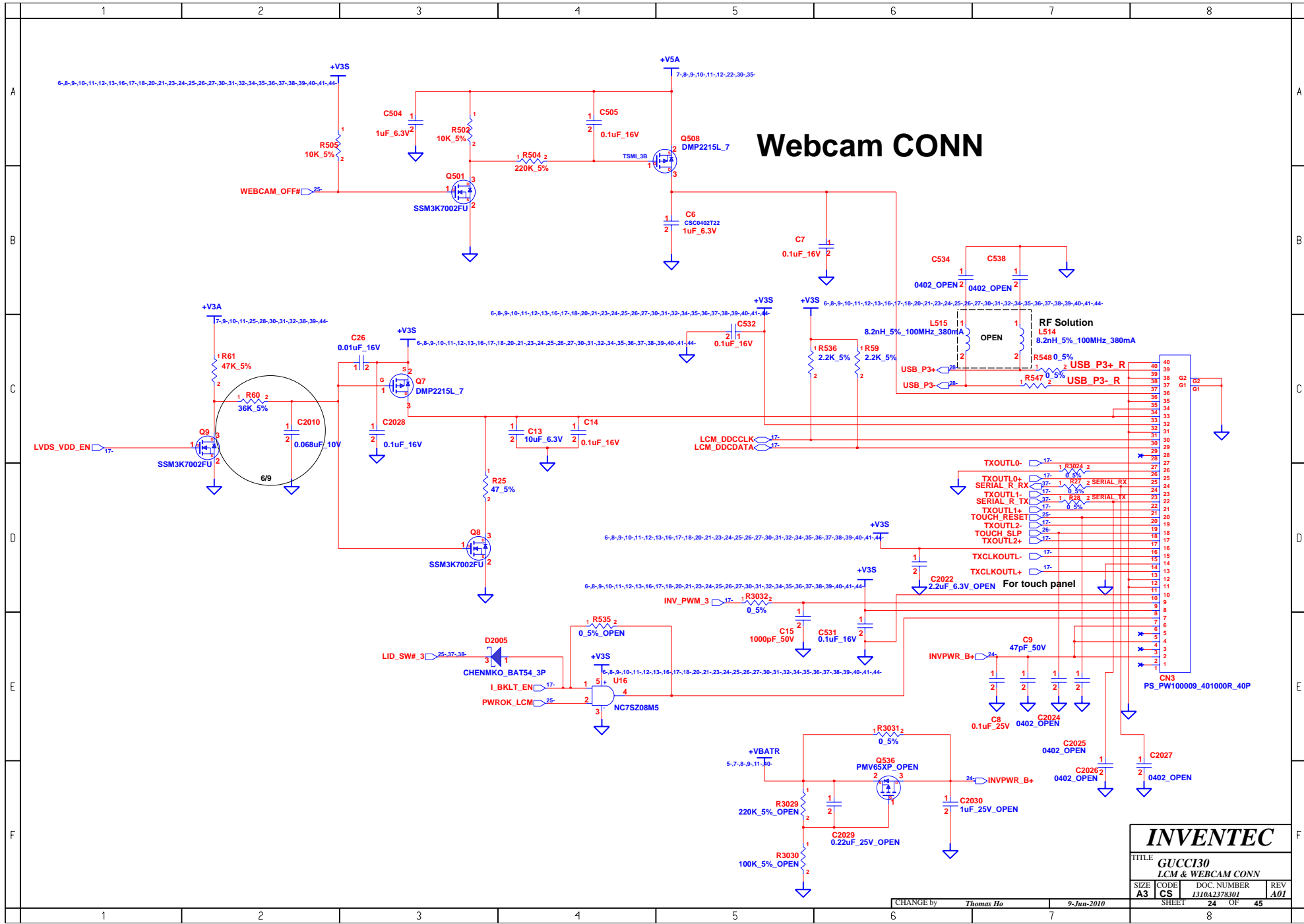


INVENTEC			
TITLE GUCCI30			
DDR2 PULL UP TERMINATOR			
SIZE A3	CODE CS	DOC. NUMBER 1310A2378301	REV A01



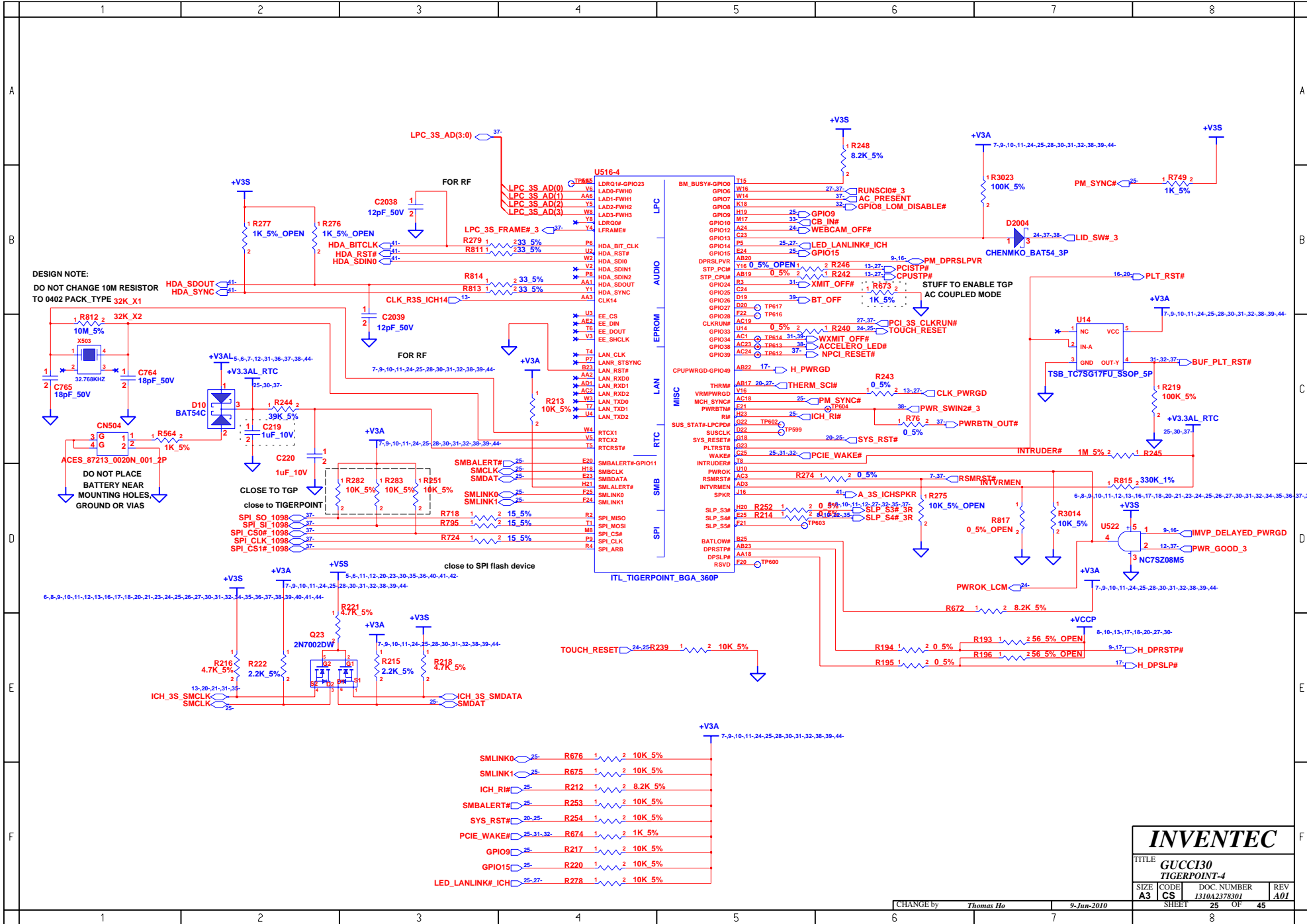
INVENTEC			
TITLE GUCCI30			
CRT			
SIZE A3	CODE CS	DOC. NUMBER <i>1310A2378301</i>	REV A01
CHANGE by <i>Thomas Ho</i>		9-Jun-2010	
SHEET 23		OF 45	

Webcam CONN



INVENTEC

TITLE			
GUCCI30			
LCM & WEBCAM CONN			
SIZE	CODE	DOC. NUMBER	REV
A3	CS	1310A2378301	A01



DESIGN NOTE:
DO NOT CHANGE 10M RESISTOR TO 0402 PACK_TYPE 32K_X1

DO NOT PLACE BATTERY NEAR MOUNTING HOLES, GROUND OR VIAS

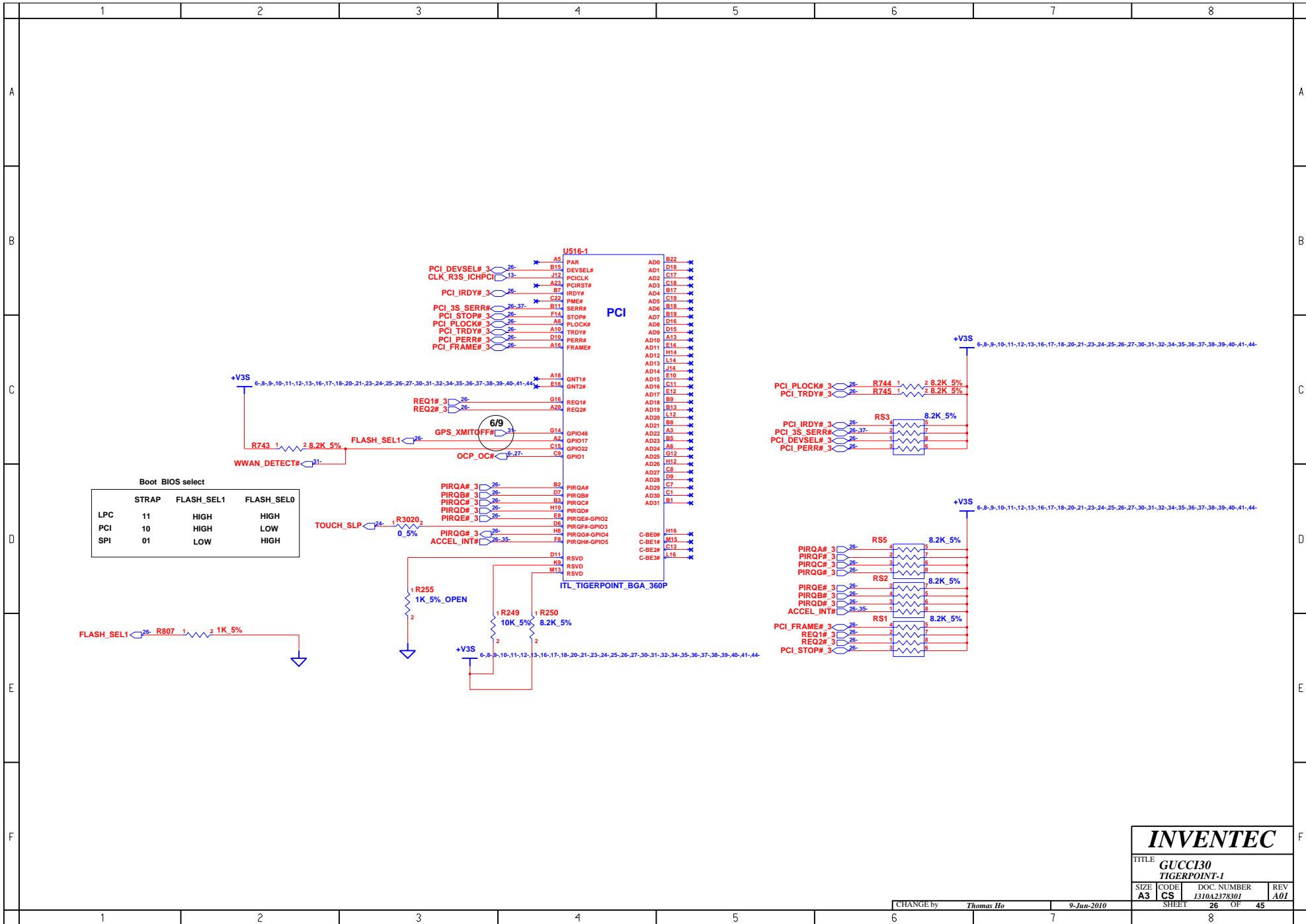
close to SPI flash device

- SMLINK0 25- R676 1 2 10K 5%
- SMLINK1 25- R675 1 2 10K 5%
- ICH_R1# 25- R212 1 2 8.2K 5%
- SMBALERT# 25- R253 1 2 10K 5%
- SYS_RST# 20-25- R254 1 2 10K 5%
- PCIE_WAKE# 25-31-32- R674 1 2 1K 5%
- GPIO9 25- R217 1 2 10K 5%
- GPIO15 25- R220 1 2 10K 5%
- LED_LANLINK#_ICH 25-27- R278 1 2 10K 5%

INVENTEC

TITLE
**GUCCI30
TIGERPOINT-4**

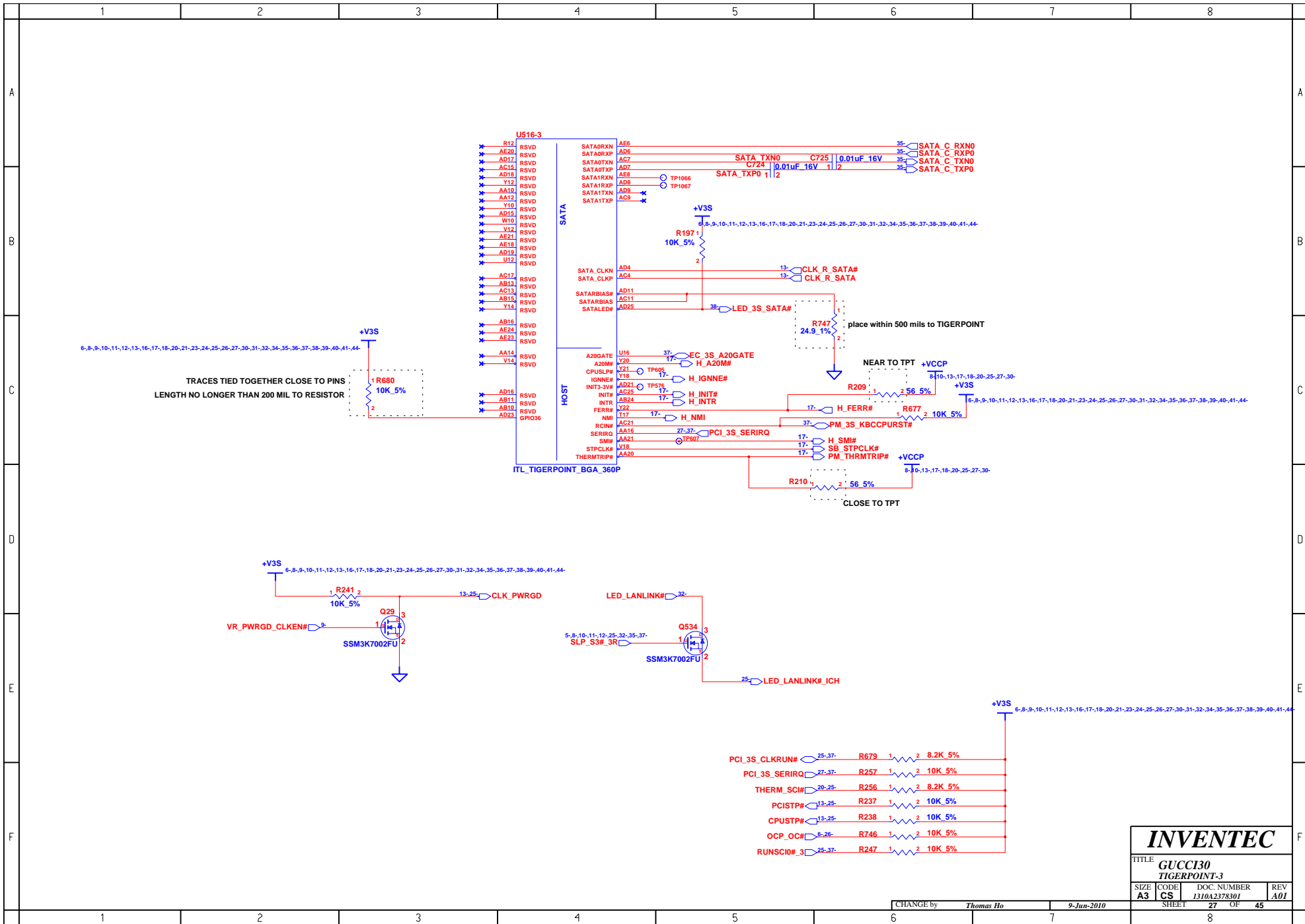
SIZE	CODE	DOC. NUMBER	REV
A3	CS	1310A2378301	A01



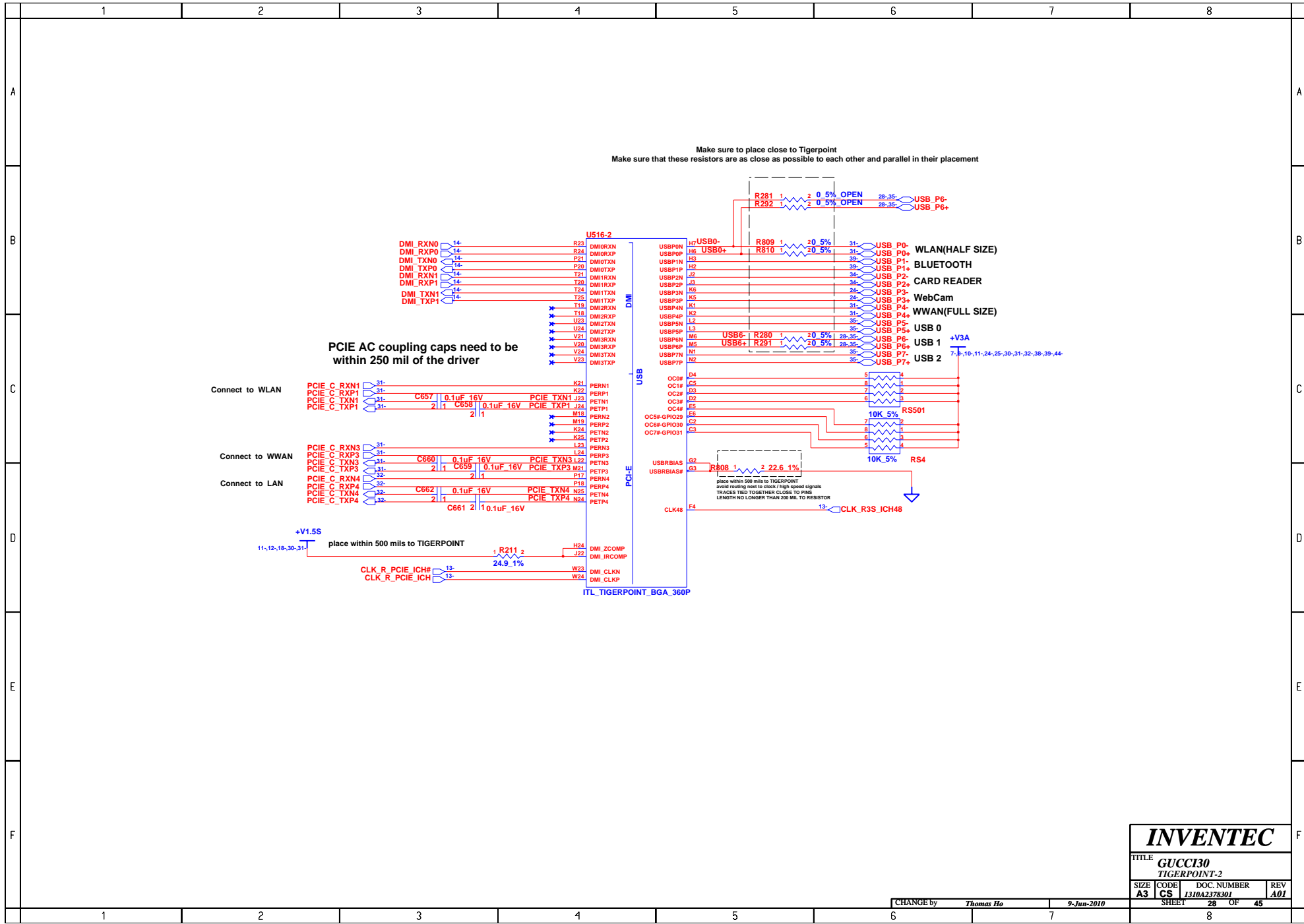
INVENTEC

TITLE			
GUCCI30			
TIGERPOINT-1			
SIZE	CODE	DOC. NUMBER	REV
A3	CS	1310A2378301	A01
CHANGE by		SHEET	OF
Thomas Ho		26	45

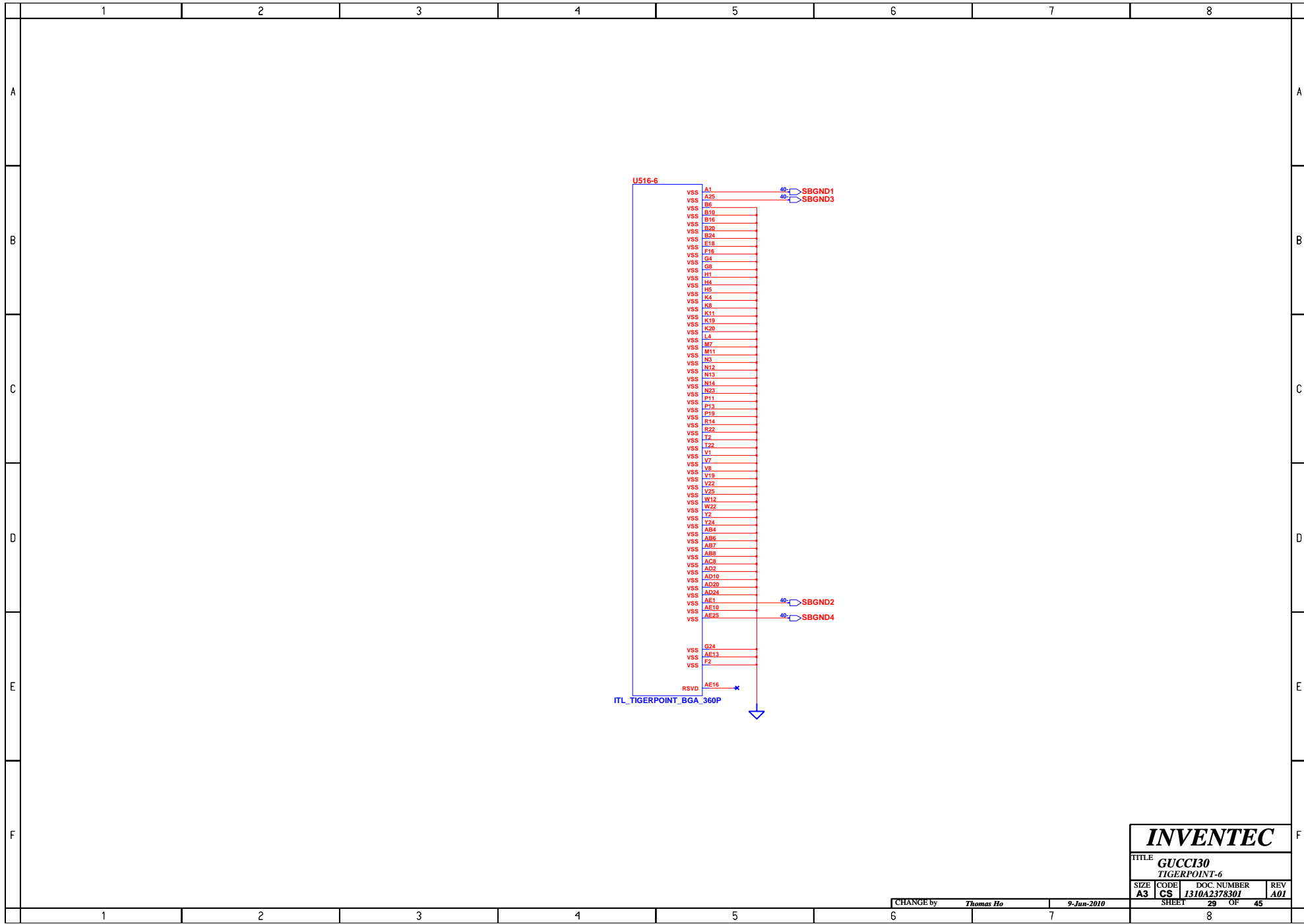
9-Jun-2010



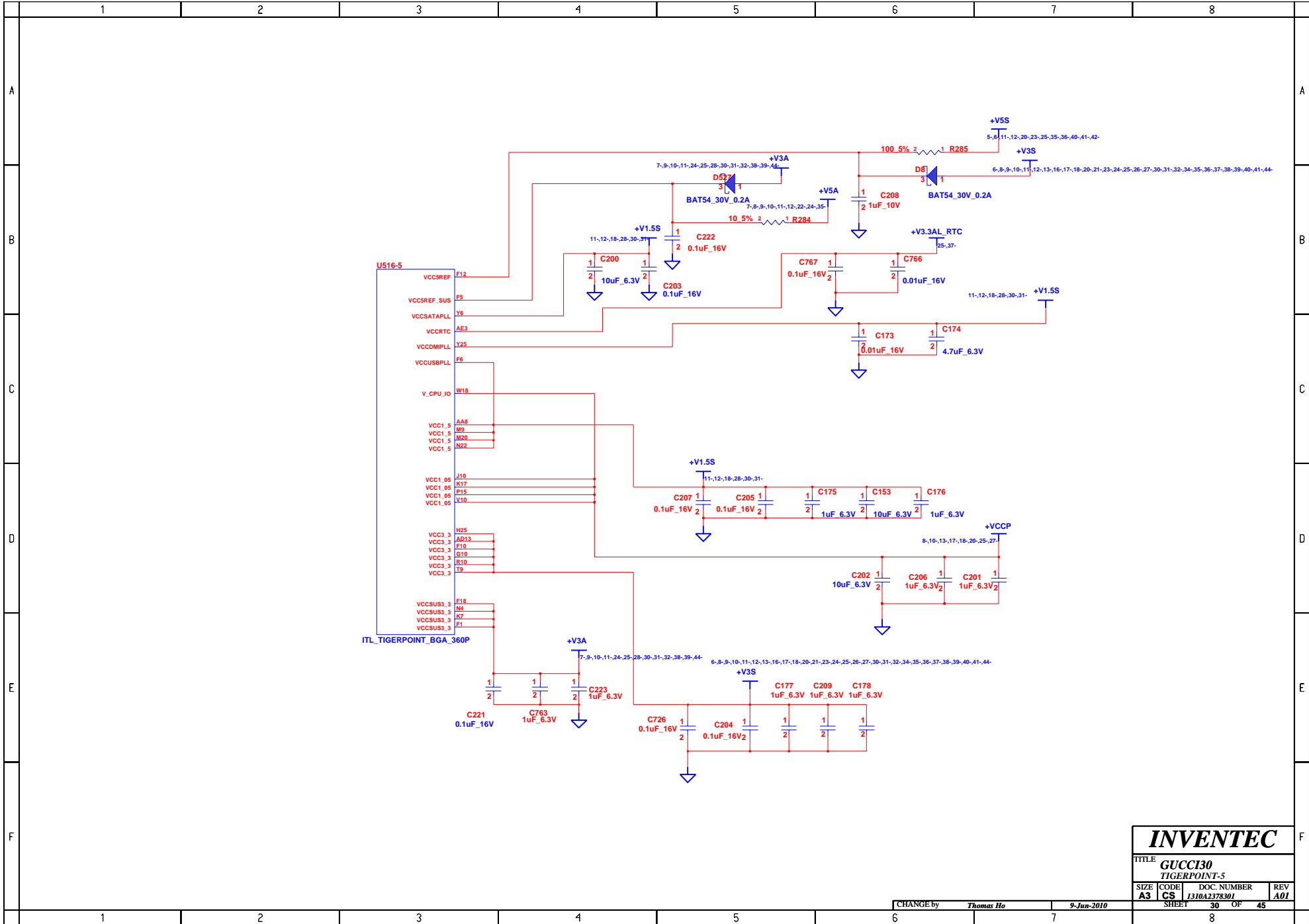
INVENTEC			
TITLE GUCCI30 TIGERPOINT-3			
SIZE A3	CODE CS	DOC. NUMBER 1310A2378301	REV A01
CHANGE by <i>Thomas Ho</i>		9-Jun-2010	
SHEET 27		OF 45	



INVENTEC			
TITLE GUCCI30 TIGERPOINT-2			
SIZE A3	CODE CS	DOC. NUMBER 1310A2378301	REV A01
CHANGE by <i>Thomas Ho</i>		9-Jun-2010	
SHEET		28 OF 45	



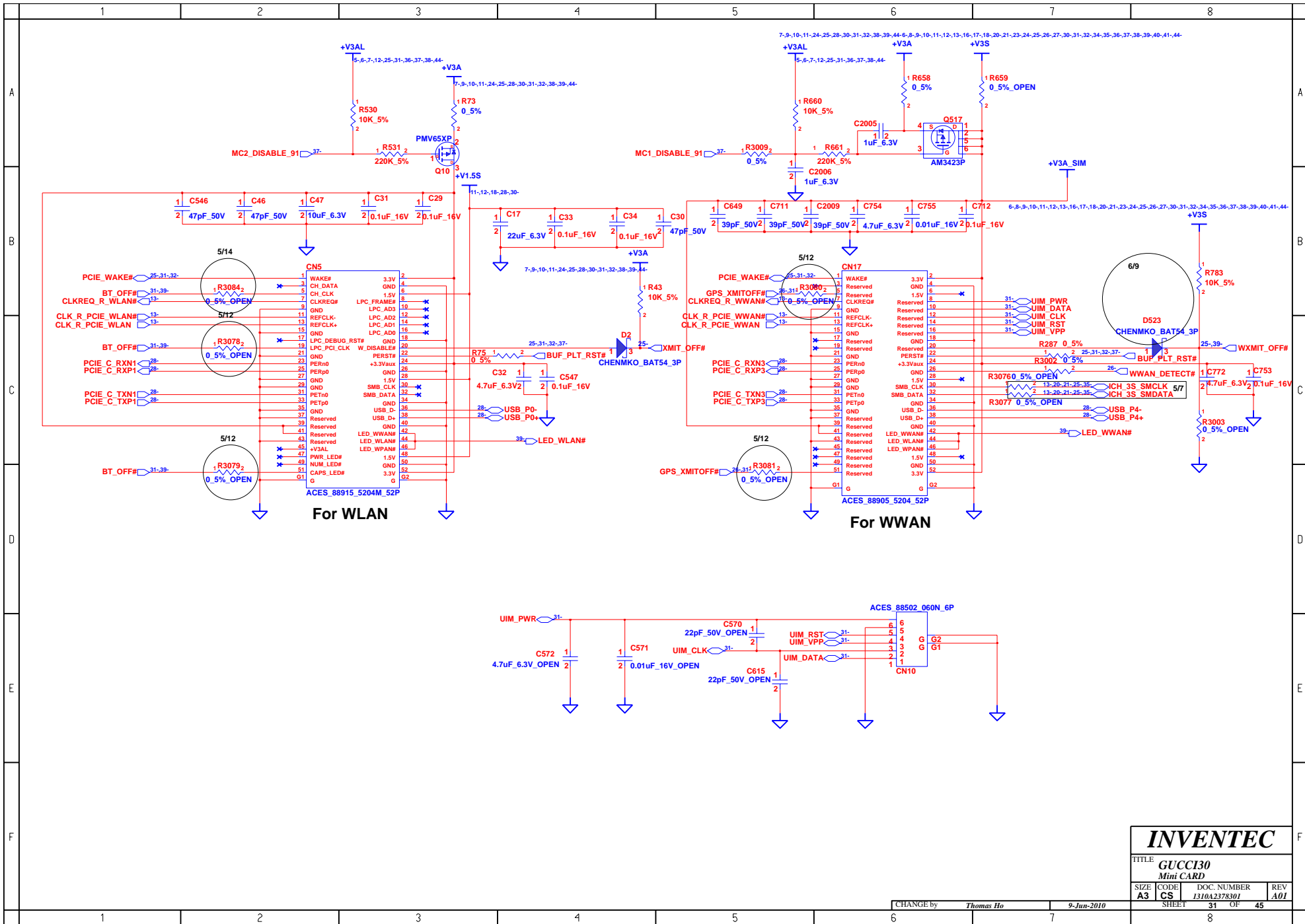
INVENTEC			
TITLE GUCCI30 <i>TIGERPOINT-6</i>			
SIZE A3	CODE CS	DOC. NUMBER 1310A2378301	REV A01
CHANGE by <i>Thomas Ho</i>		9-Jun-2010	
SHEET		29 OF 45	



INVENTEC

TITLE			
GUCCI30			
TIGERPOINT-5			
SIZE	CODE	DOC. NUMBER	REV
A3	CS	1310A2378301	A01
SHEET		30	OF 45

CHANGE by Thomas Ho 9-Jun-2010

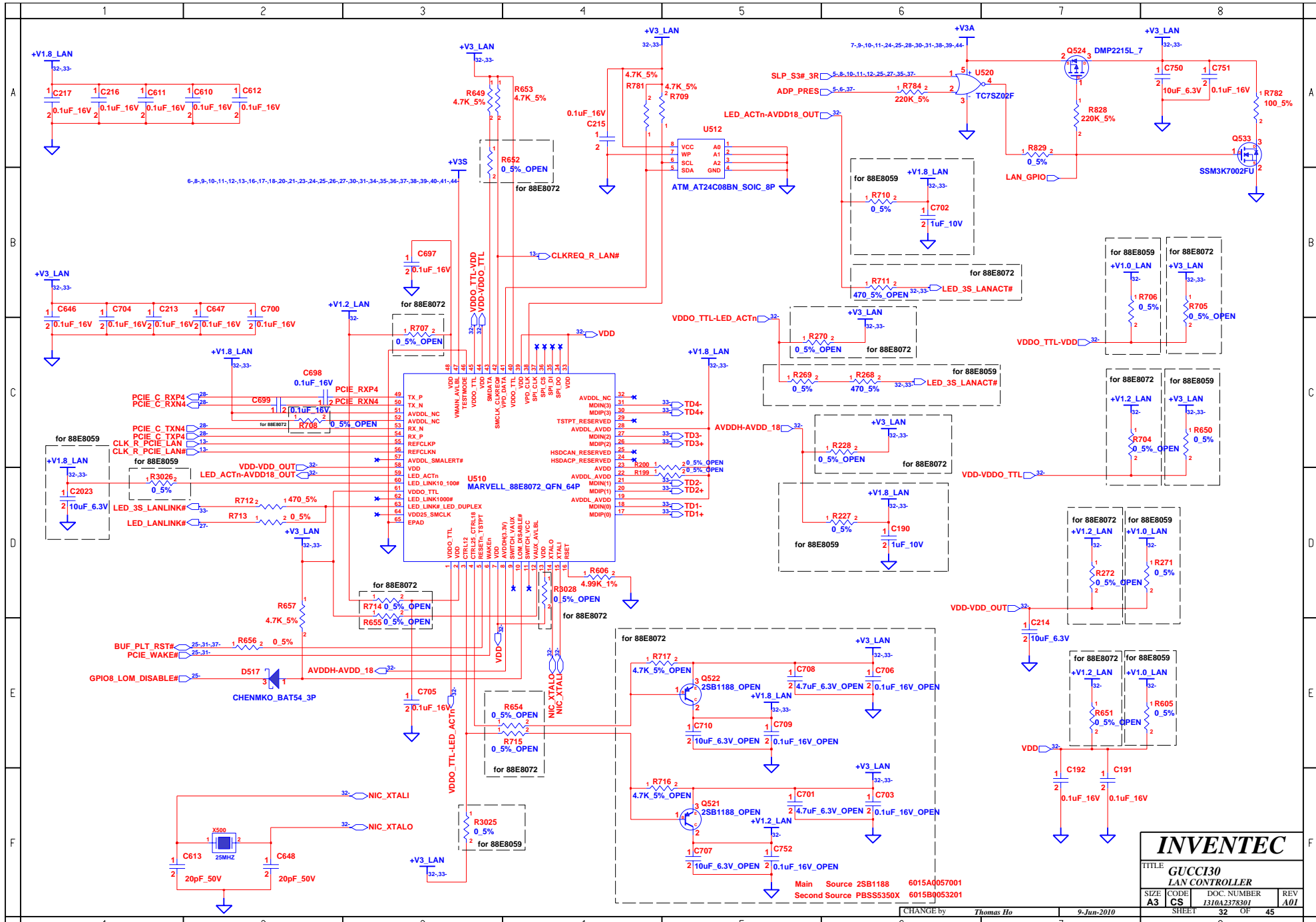


For WLAN

For WWAN

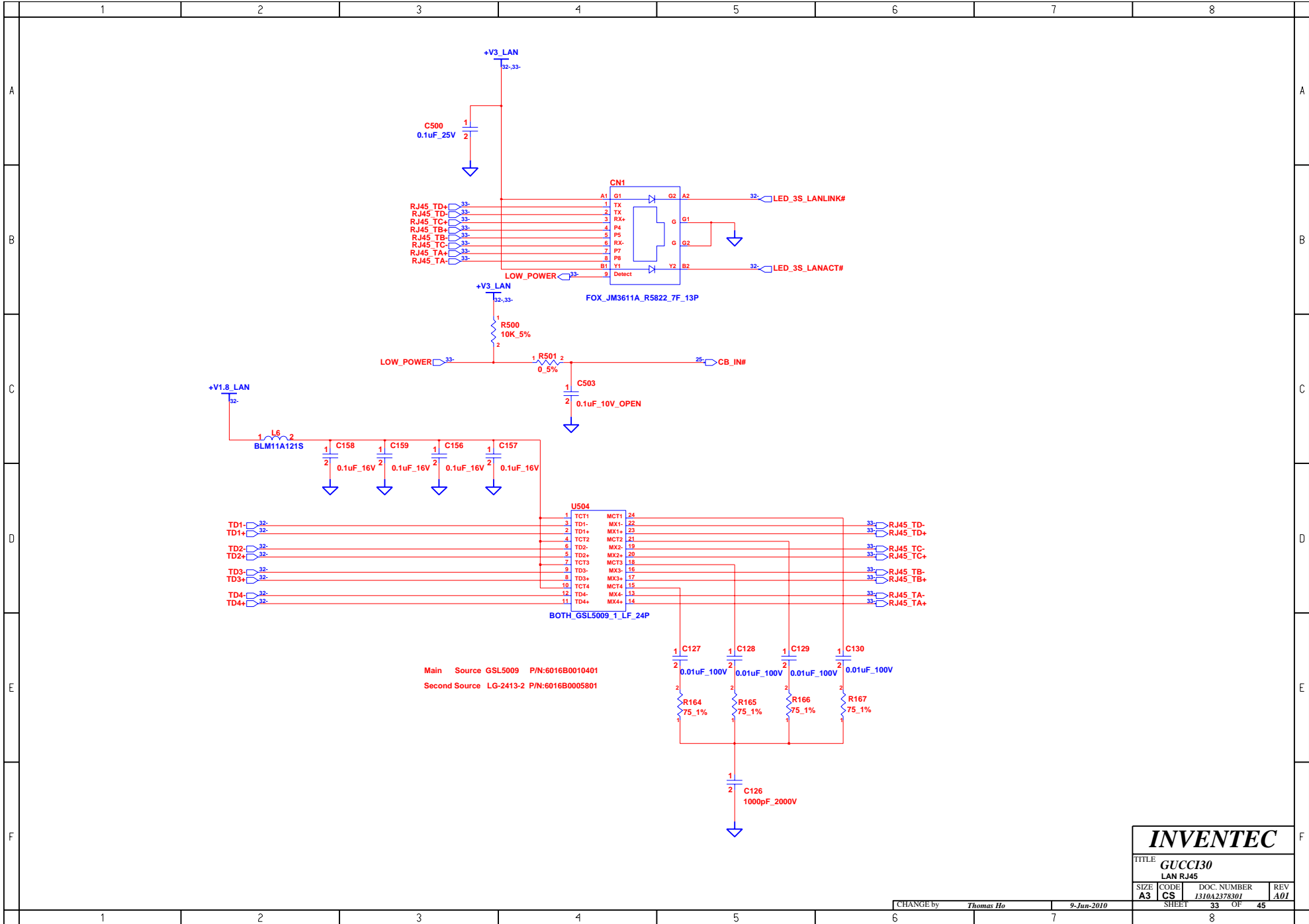
INVENTEC

TITLE GUCCI30			
Mini CARD			
SIZE A3	CODE CS	DOC. NUMBER 1310A2378301	REV A01
CHANGE by <i>Thomas Ho</i>		9-Jun-2010	
SHEET 31		OF 45	



Main Source 2SB1188 6015A0057001
 Second Source PBSS5350X 6015B0053201

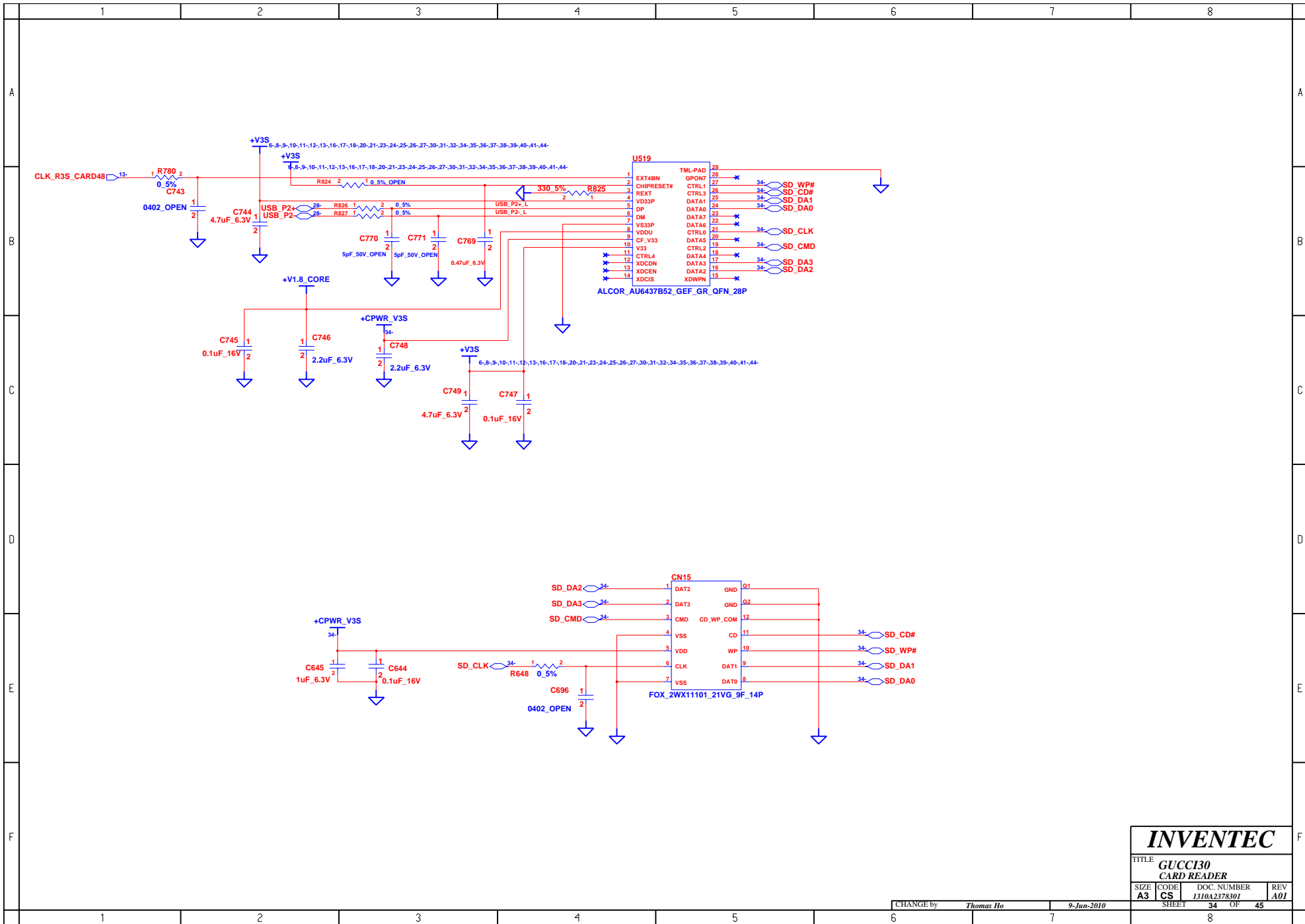
INVENTEC			
TITLE GUCCI30 LAN CONTROLLER			
SIZE	CODE	DOC. NUMBER	REV
A3	CS	1310A2378301	A01



INVENTEC

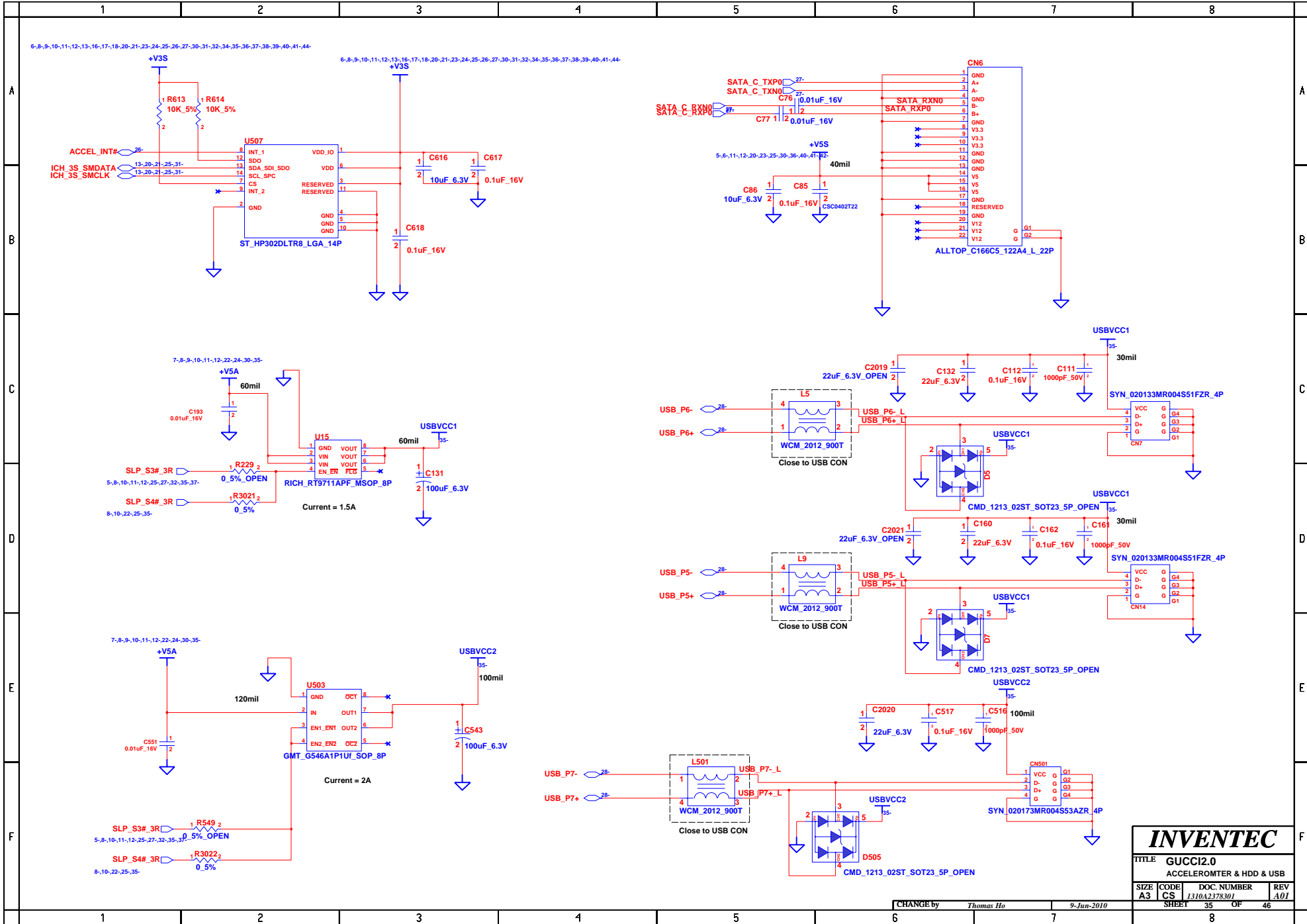
TITLE
GUCCI30
 LAN RJ45

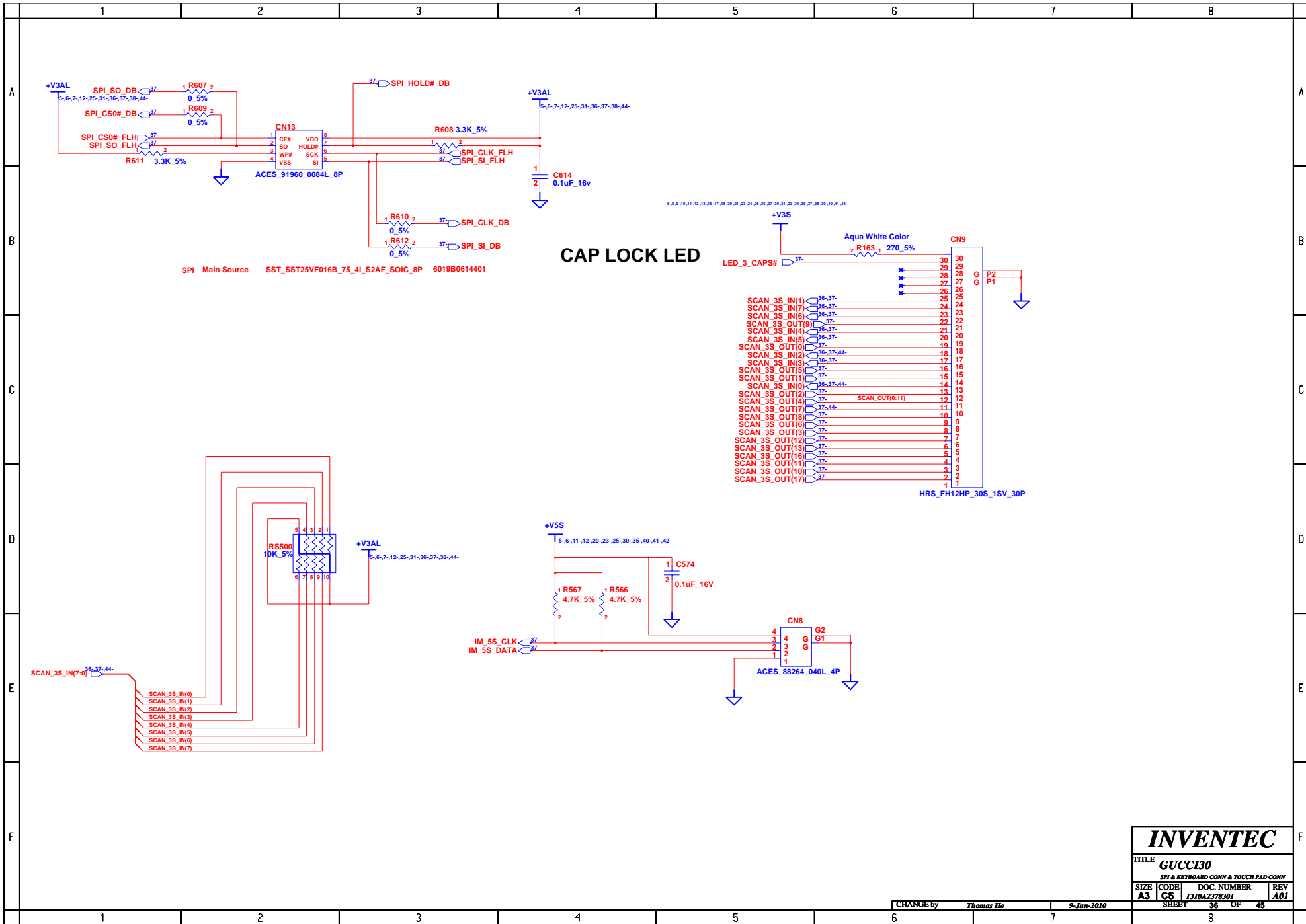
SIZE A3	CODE CS	DOC. NUMBER <i>1310A2378301</i>	REV A01
CHANGE by <i>Thomas Ho</i>		9-Jun-2010	
SHEET 33		OF 45	



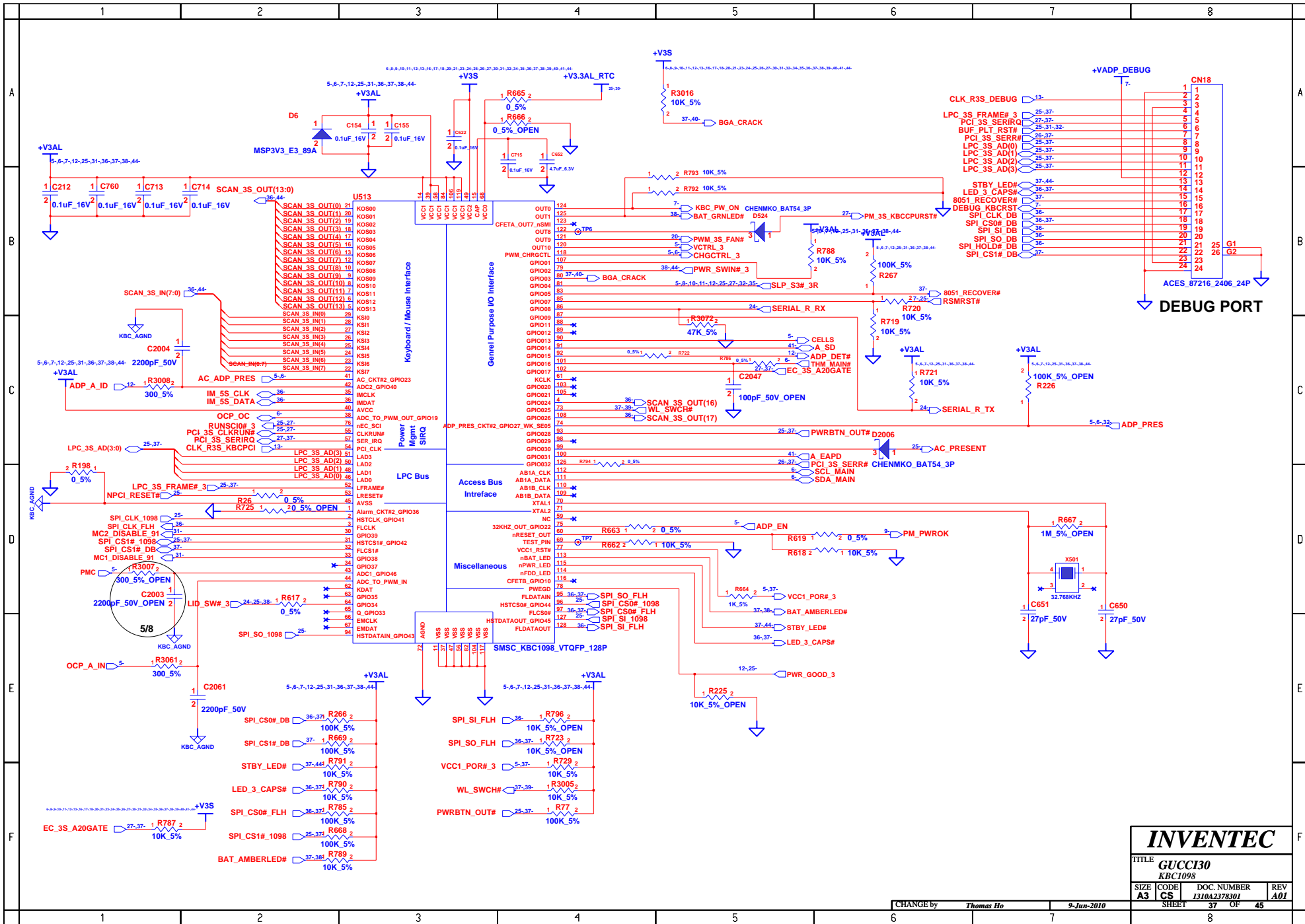
INVENTEC

TITLE			
GUCCI30 CARD READER			
SIZE	CODE	DOC. NUMBER	REV
A3	CS	1310A2378301	A01
CHANGE by		THOMAS HO	9-Jun-2010
SHEET		34	OF 45

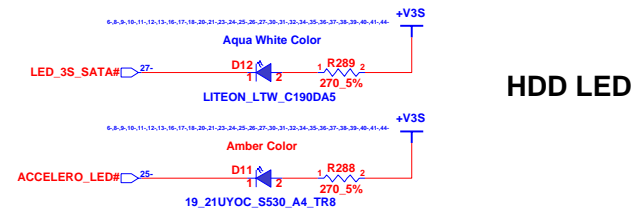
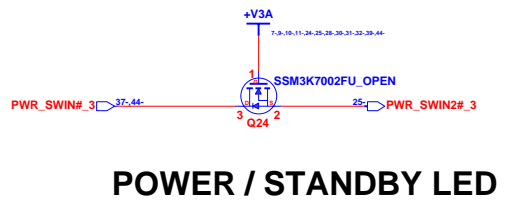
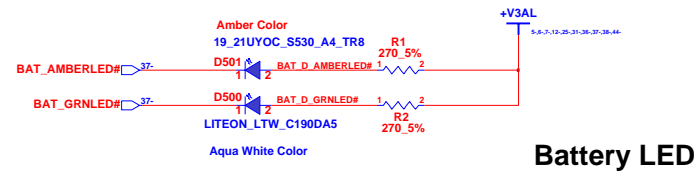
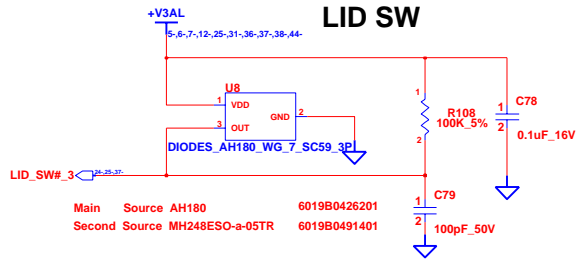




INVENTEC			
TITLE GUCCI30			
SPI & KEYBOARD CONN & TOUCH PAD CONN			
SIZE A3	CODE CS	DOC NUMBER 1310A2378301	REV A01
CHANGE by <i>Thomas Ho</i>		9-Jun-2010	
SHEET 36		OF 45	



INVENTEC			
TITLE GUCCI30 KBC1098			
SIZE A3	CODE CS	DOC. NUMBER 1310A2378301	REV A01
CHANGE by <i>Thomas Ho</i>		9-Jun-2010	
SHEET 37		OF 45	

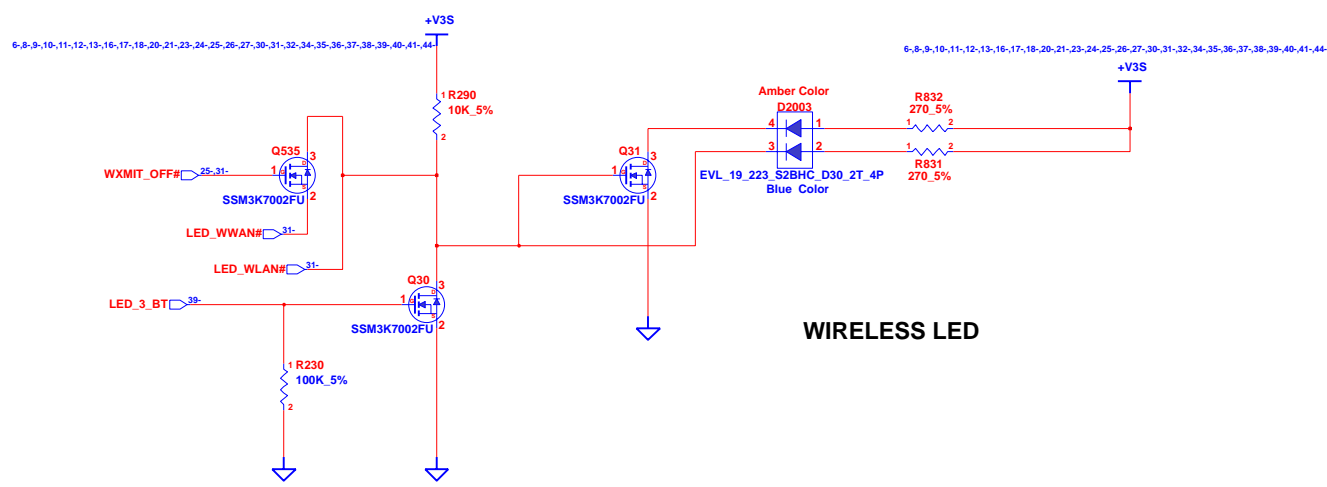
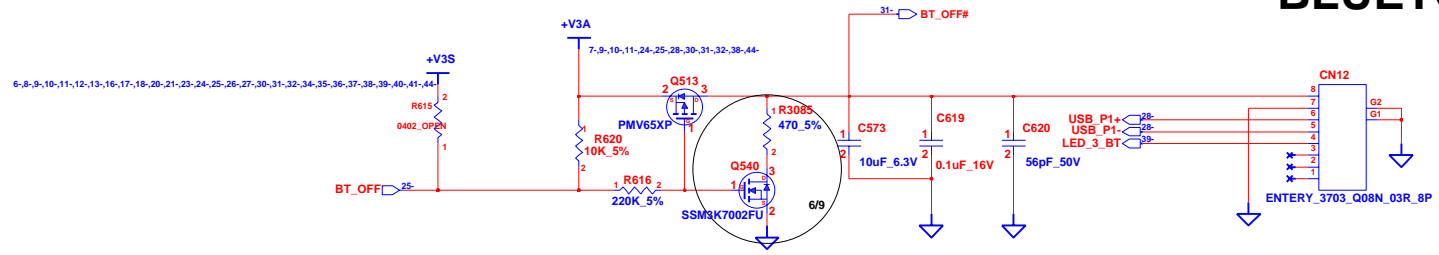


INVENTEC

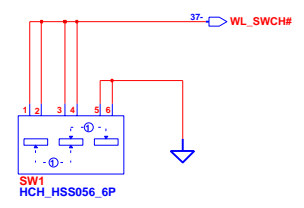
TITLE			
GUCCI30			
LID & LED			
SIZE	CODE	DOC. NUMBER	REV
A3	CS	1310A237830J	A01
SHEET		OF	
8		45	

CHANGE by Thomas Ho 9-Jun-2010

BLUETOOTH



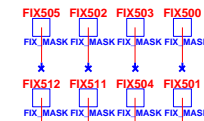
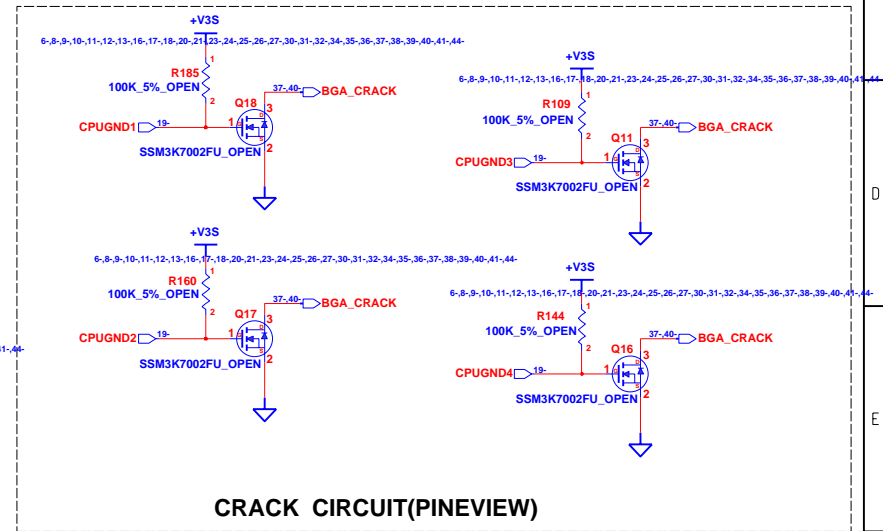
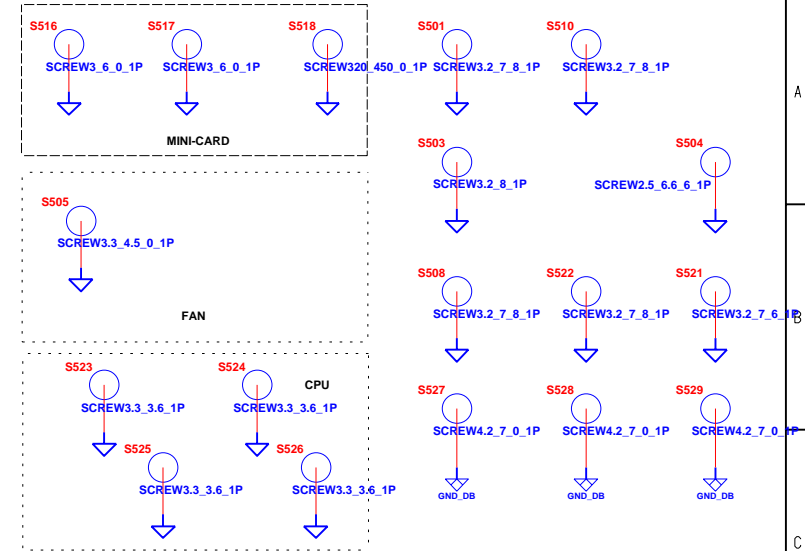
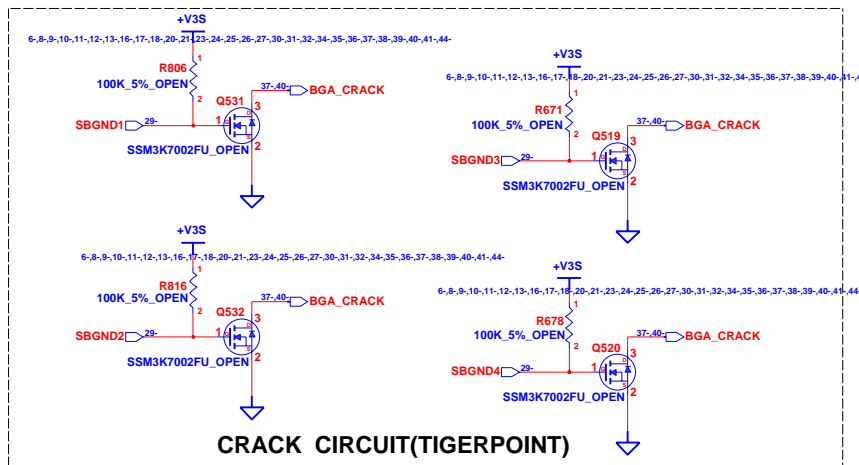
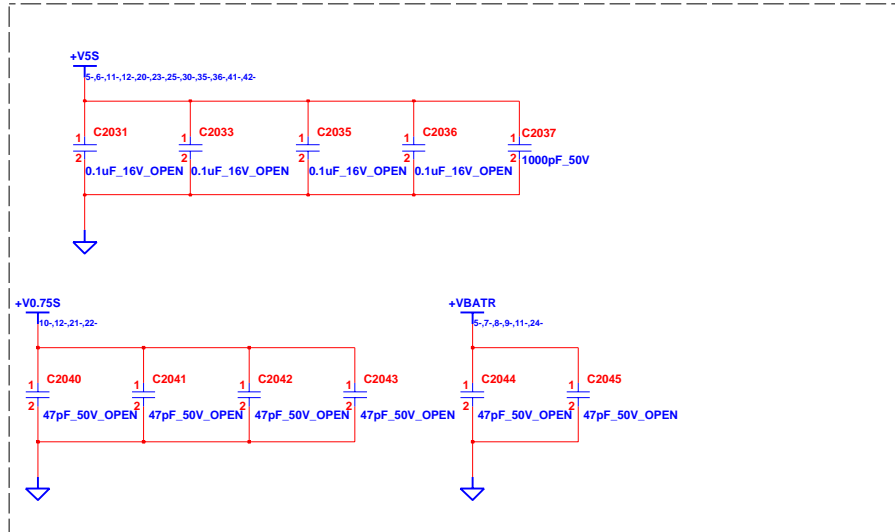
WIRELESS LED



WIRELESS SWITCH

INVENTEC			
TITLE GUCCI30 BLUETOOTH & WIRELESS SWITCH			
SIZE A3	CODE CS	DOC. NUMBER 1310A2378301	REV A01
CHANGE by <i>Thomas Ho</i>		9-Jun-2010	SHEET 39 OF 45

10/06
RF SOLUTION



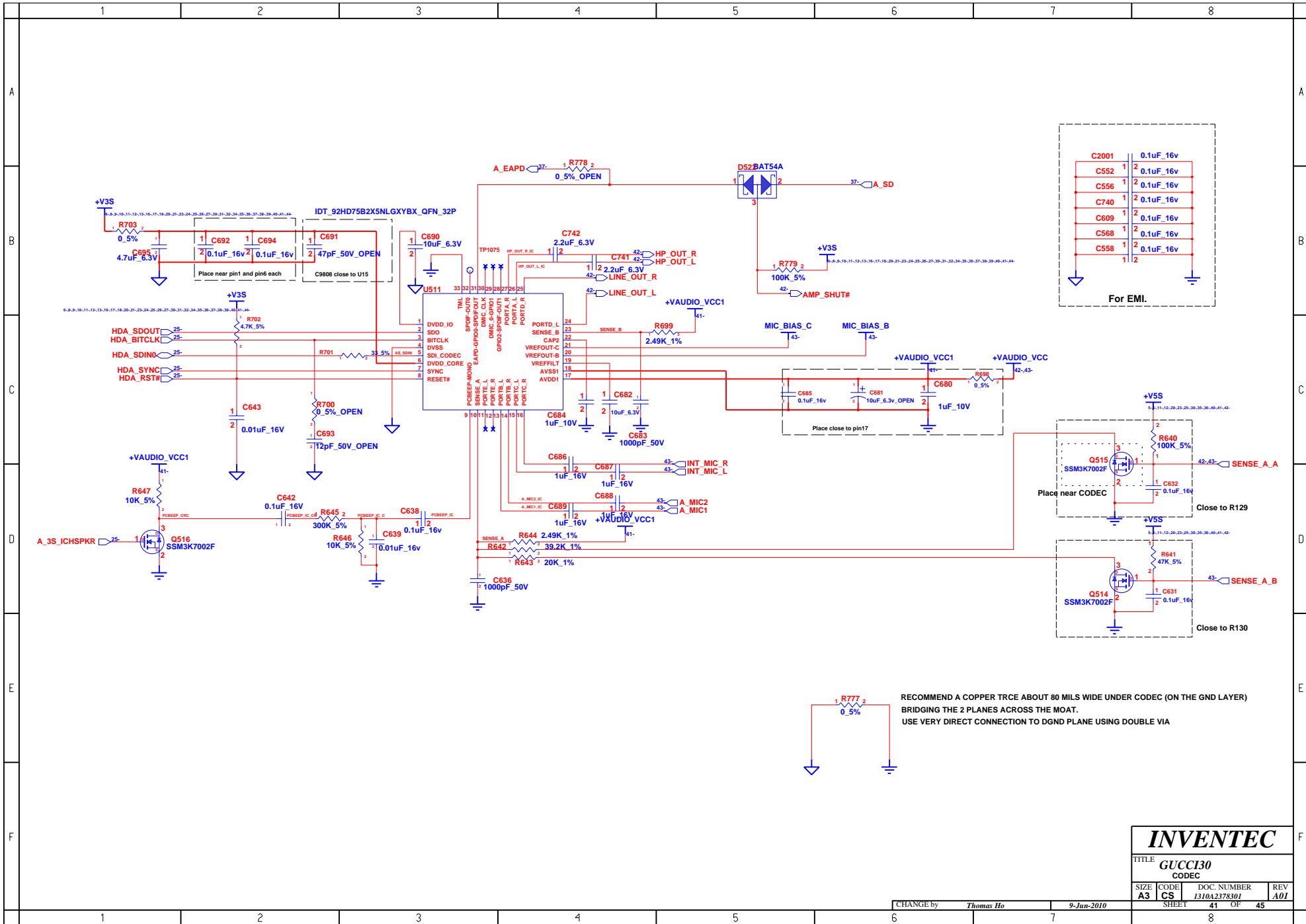
INVENTEC

TITLE
GUCCI30
EMI CAP

SIZE A3	CODE CS	DOC. NUMBER 1310A2378301	REV A01
-------------------	-------------------	------------------------------------	-------------------

CHANGE by *Thomas Ho* 9-Jun-2010

SHEET 40 OF 45



C2001	1	2	0.1uF_16v
C552	1	2	0.1uF_16v
C556	1	2	0.1uF_16v
C740	1	2	0.1uF_16v
C609	1	2	0.1uF_16v
C568	1	2	0.1uF_16v
C558	1	2	0.1uF_16v

For EMI.

Q515	1	2	SSM3K7002F
R640	1	2	100K_5%
C632	1	2	0.1uF_16v

Place near CODEC
Close to R129

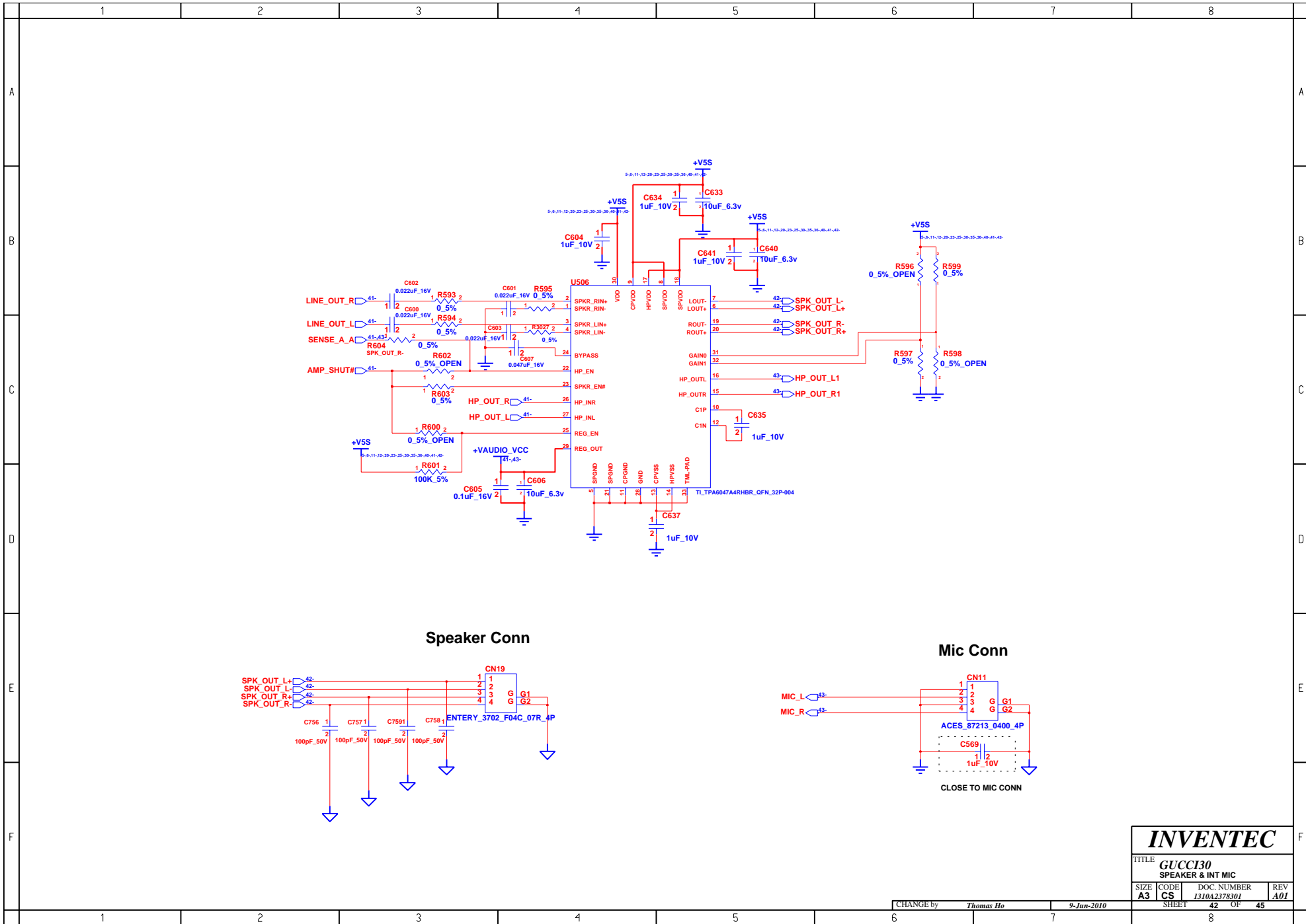
Q514	1	2	SSM3K7002F
R641	1	2	47K_5%
C631	1	2	0.1uF_16v

Close to R130

INVENTEC

TITLE
GUCCI30
CODEC

SIZE	CODE	DOC. NUMBER	REV
A3	CS	1310A2378301	A01

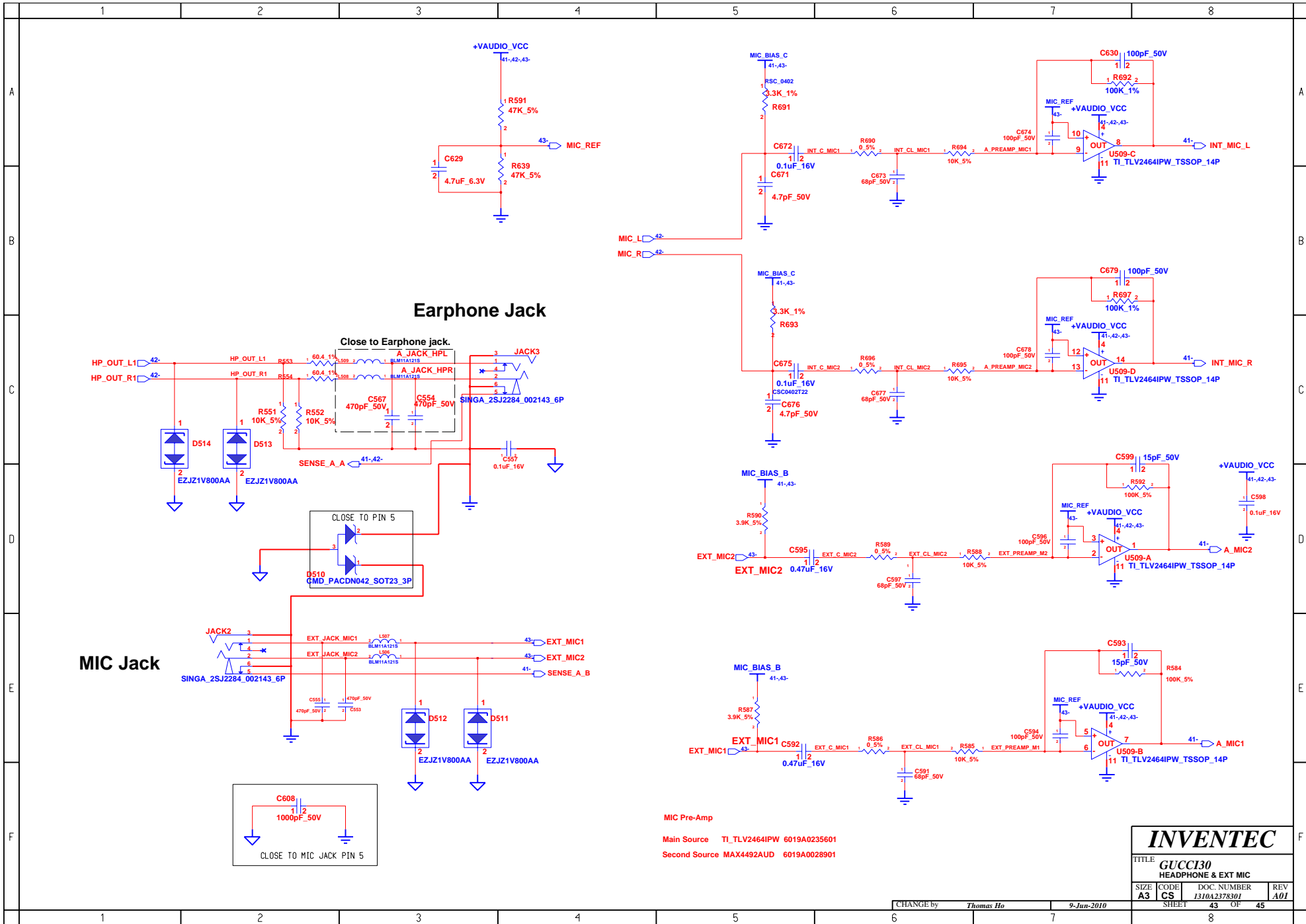


INVENTEC

TITLE
GUCCI30
 SPEAKER & INT MIC

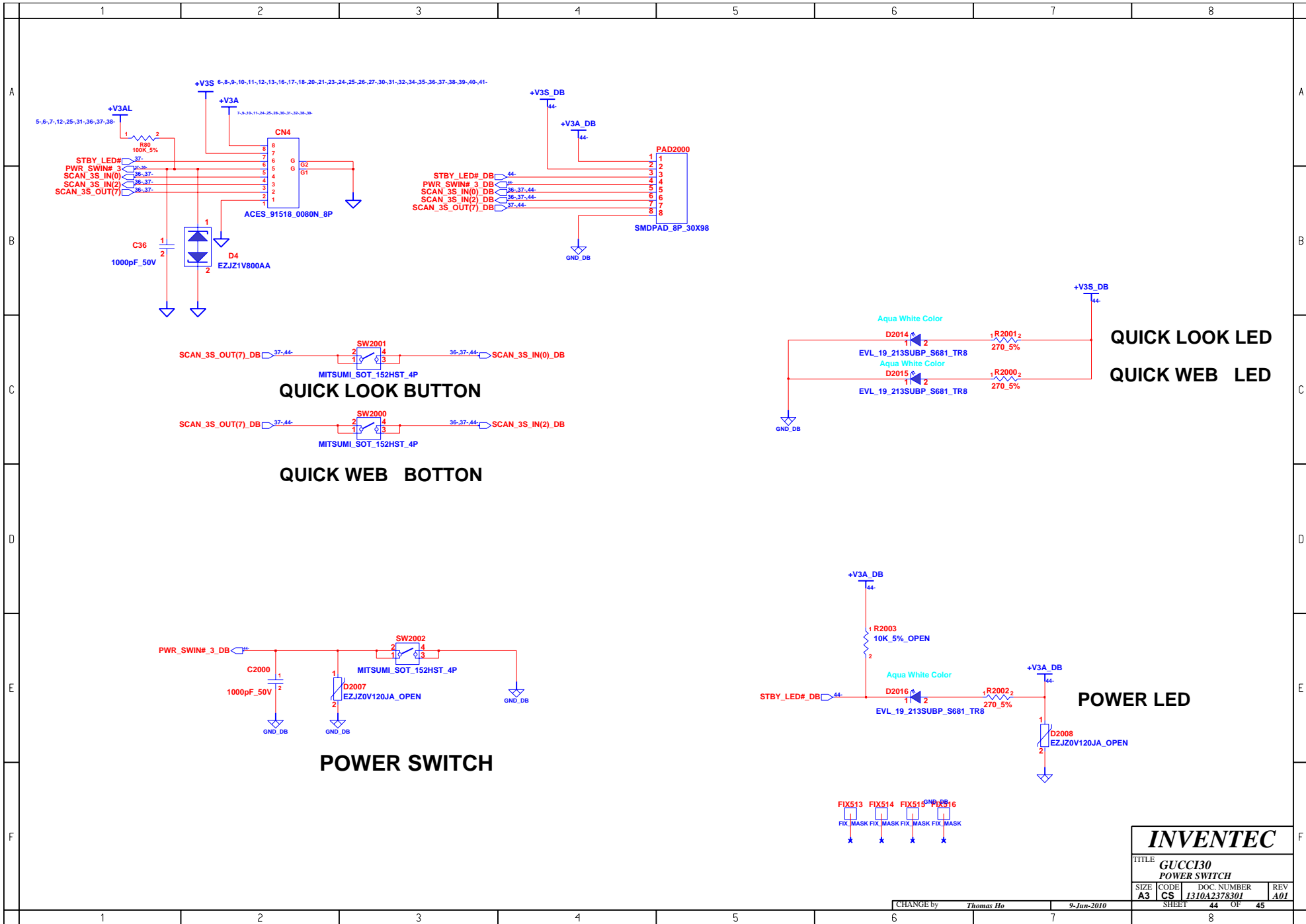
SIZE	CODE	DOC. NUMBER	REV
A3	CS	1310A2378301	A01

CHANGE by *Thomas Ho* 9-Jun-2010
 SHEET 42 OF 45

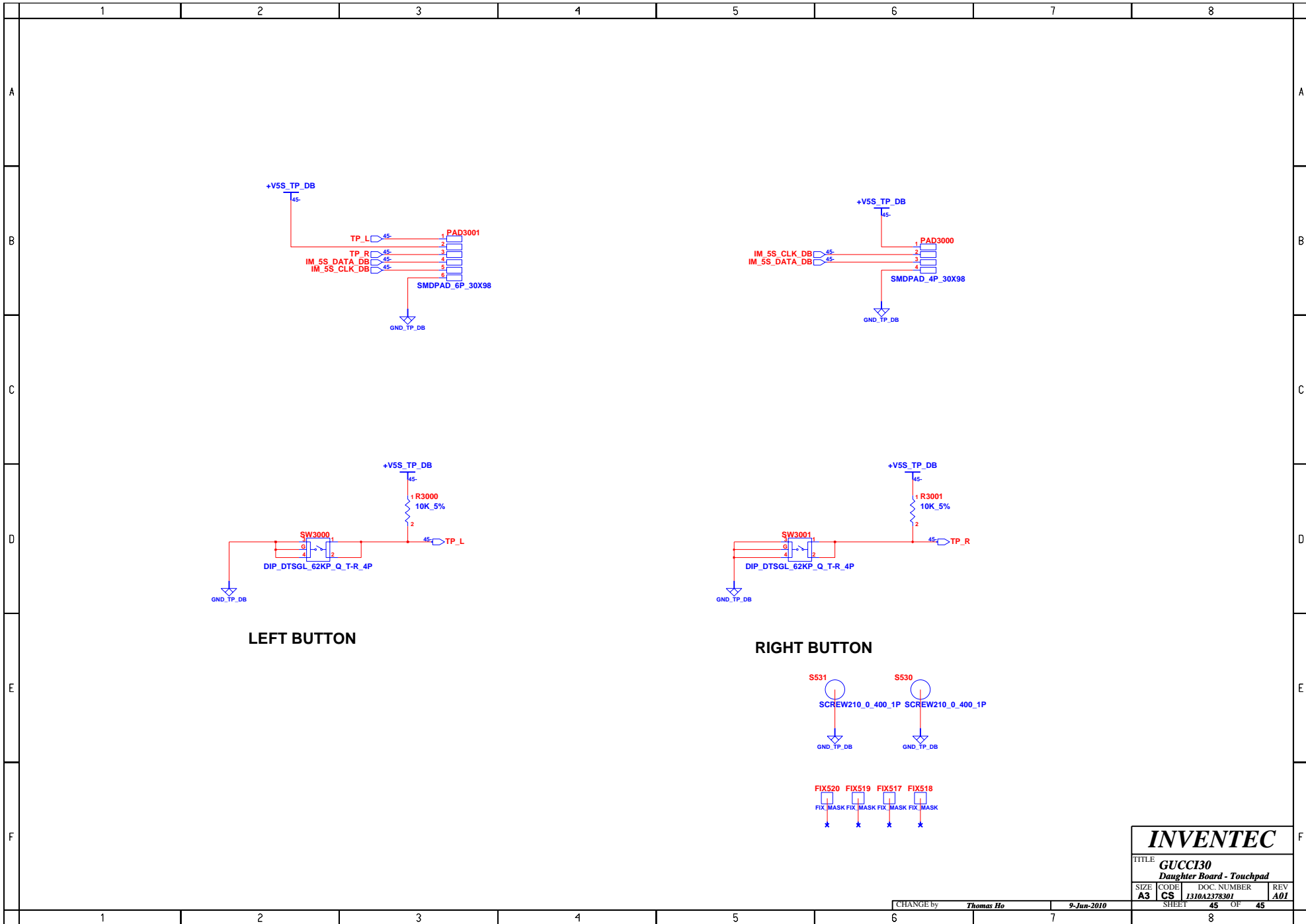


MIC Pre-Amp
 Main Source TI_TLV2464IPW 6019A0235601
 Second Source MAX4492AUD 6019A0028901

INVENTEC			
TITLE GUCCI30 HEADPHONE & EXT MIC			
SIZE A3	CODE CS	DOC. NUMBER <i>1310A2378301</i>	REV A01
CHANGE by <i>Thomas Ho</i>		9-Jun-2010	
SHEET 43		OF 45	



INVENTEC			
TITLE GUCCI30 POWER SWITCH			
SIZE A3	CODE CS	DOC NUMBER 1310A2378301	REV A01
CHANGE by <i>Thomas Ho</i>		9-Jun-2010	
SHEET 44		OF 45	



INVENTEC			
TITLE GUCCI30			
Daughter Board - Touchpad			
SIZE A3	CODE CS	DOC. NUMBER 1310A2378301	REV A01
CHANGE by Thomas Ho		9-Jun-2010	
SHEET 45		OF 45	

www.s-manuals.com